



Pm-6



marantz

Model Pm-6

Stereo Pre Main Amplifier

MARANTZ DESIGN AND SERVICE

Using superior design and selected high grade components, MARANTZ Company has created the ultimate in stereo sound. Only original MARANTZ parts can insure that your MARANTZ product will continue to perform to the specifications for which it is famous.

Parts for your MARANTZ stereo are generally available within 72 hours throughout the nation via a toll-free line to our National Parts Depot in California. The sales professionals who take your call immediately refer to their own desk top computer terminal and can quickly determine the availability and price information you require. If for some reason, your order should exceed our available stock, we usually can instantly provide an alternate replacement part or current delivery information. When the order is placed and confirmed, the computer simultaneously generates "hard copy" orders at the distribution center. As hard copies come directly from the computer to the national parts depot, your requested stock is assembled and prepared for shipment and placed on the first available carrier for delivery to you.

ORDERING PARTS

Phone orders will eliminate mail delays, and we encourage the use of this method. If you order by mail, use MARANTZ parts order forms which are available from our National Parts Depot located at the following address:

SUPERSCOPE NATIONAL PARTS DEPARTMENT
20525 Nordhoff Street
Chatsworth, California 91311
Phone: 1-800-423-5108
1-213-998-9333

The following information must be supplied to eliminate delays in processing your order:

1. Complete address.
2. Complete part numbers.
3. Complete description of parts.
4. Model number for which part is required (indicate MARANTZ).
5. Account number (for account customers only).

Direct consumers will be provided with the current retail price quotation on available parts in order to advise them of the cost of the parts and shipping.

OVERSEAS PARTS ORDERING

Parts may also be ordered from the following overseas addresses:

CANADA

Superscope Canada, Ltd.
3710 Nashua Drive
Mississauga
Ontario, Canada L4V1M5

AUSTRALIA

Superscope (Australasia) Pty., Ltd.
32 Cross Street (P.O. Box 604)
Brookvale 2100 N.S.W.
Australia

JAPAN

Marantz Japan, Inc.
3622 Kamitsuruma
Sagamihara Shi
Kanagawa, Japan

EUROPE

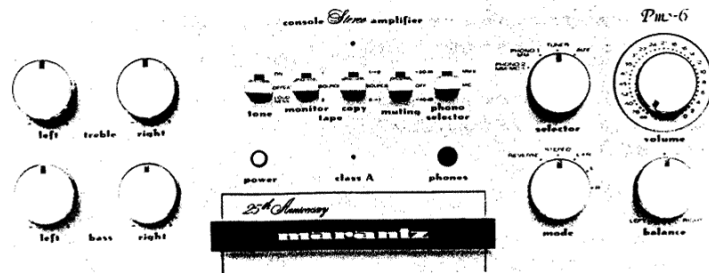
Marantz Europe, S.A.
Avenue Leopold III, 2
7120 Perennes-Lez-Binche
Belgium

Marantz France
Rue Louis Armand 9
92600 Asnieres
Hauts-de-Seine
France

Marantz Audio U.K. Ltd.
London Road, 203
Staines
Middlesex
England

Marantz GmbH
Max-Planck-Strasse 22
D-6072 Dreieich 1
West Germany

All of the above locations are fully equipped to take care of your total service needs. Because various countries have differing configuration requirements, it is necessary that you contact the service facility in your particular country. In the event that there is no service location listed for your country, please contact the nearest facility for the necessary assistance.



特長

■ MCヘッドアンプ(13石構成)

初段は NPN 超ローノイズトランジスタ 4 本を並列に組合せたものと PNP 超ローノイズトランジスタ 4 本を組合せたものとでプッシュプル構成とし、さらに 2 段目の増巾段もプッシュプル構成とし出力段は十分に電流を流した SEPP 構成の片チャンネル当り 13 石ものトランジスタを使用した本格的な MC ヘッドアンプです。

特に S/N 比を改善するためフィードバック回路のインピーダンスを徹底的に小さくしています。定格入力 125 μ V で電圧利得は 20 倍 (26dB) となっています。

■ PHONOアンプ(11石構成)

この PHONO アンプは TIM 歪の低減と高 S/N を実現するためにマランツ独特の 11 石構成の完全全段プッシュプル回路としています。

初段は N チャンネル、P チャンネルの超ローノイズ、ハイ Gm の FET をプッシュプルに組合せ、さらにカスコードカレントミラー回路を使用し入力段のインピーダンス変化による特性悪化を防止しています。

次段は段間エミッターフォロアーによるバッファアンプを通り 2 段目プッシュプル電圧増巾段に入ります。

さらに出力段はどのような負荷でも十分にドライブすることの出来る SEPP 回路とし S/N 比改善のためイコライザ素子のインピーダンスも従来のものに比べ十分低くし、定格入力時の S/N も 90dB を達成しています。

またイコライザ素子には誤差 1% 以内の金属被膜抵抗と 2% 以内のポリプロピレンコンデンサを使用し 20 Hz ~ 20 kHz 以内での RIAA 偏差を 0.2dB 以内に抑えています。

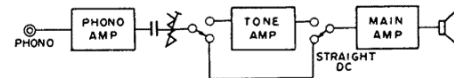
なお PHONO 1 のポジションではカートリッジの最適負荷を選ぶためカートリッジロードを 27k Ω 、47k Ω 、100k Ω に切換えることができます。

さらに電源 ON-OFF 時の不快なノイズを取り除くためにフォノアンプ出力にミュートングリレーを挿入し万全を期しています。

さらにターンテーブルのゴロやフラッターを取り除くために出力部に EQ Subsonic フィルターを入れています。

■ STRAIGHT DC (OPERATION スイッチ)

PHONO アンプの出力を直接メインアンプに送り込むことによって段間のカップリングコンデンサを 1 つだけにすることが出来ます。



このスイッチを操作することによって STRAIGHT DC-TONE IN-TONE OUT の動作状態を選ぶことが出来ます。なお各動作でのゲイン及び入力感度の変化はありません。

■ メインアンプ

STRAIGHT DC 動作をさせるため入力感度は 150mV で出力 120W (8 Ω 、AB クラス) を得られるゲインを持っています。完全 DC アンプとしてマランツ独特の回路方式とし TIM 歪の低減と DC サーボ回路により DC ドリフトの低減に万全を期しています。

電圧増巾段 (Voltage Amp)

入力段はペアー特性の良いデュアル FET によるソースフォロアーアンプを使用し入力段のインピーダンス変化による特性悪化を防いでいます。インピーダンスを下げた信号はデュ

アルトランジスタによる差動アンプで増巾されますが、この負荷にはやはりデュアルトランジスタを使った能動バランス負荷回路を使用しています。
 差動出力の片側は位相反転し、それぞれの差動出力は段間エミッタフォロアによるバッファアンプを通し2段目のプッシュプル増巾段に入ります。

電力増巾段(Power output)

電力増巾段には新開発のスーパーハイfr (70~90MHz) のパワートランジスタを並列接続した3段ダーリントン方式の出力段でバイアス電流及び出力供給電圧を切換えることにより純Aクラス30W (8Ω) とA Bクラス120W (8Ω) を切り換えることが出来ます。

調整方法

● **バイアス電流調整**

(1) CLASS B (フロントパネル、ポケットカバー内の CLASS ④のスイッチをOFFにする)
 RH07、RH08(1kΩ)

調整箇所
 入力
 出力 8Ω (LOAD)
 測定箇所

Lch TP1~TP2間、Rch TP4~TP5間にデジタルボルトメーターを接続し端子電圧が安定する(約30秒~1分)まで待ち、その後14mVになるようRH07、RH08を調整します。

(2) CLASS A (フロントパネルポケットカバー内の CLASS ⑤のスイッチをONにする)
 RH05、RH06 4.7kΩ

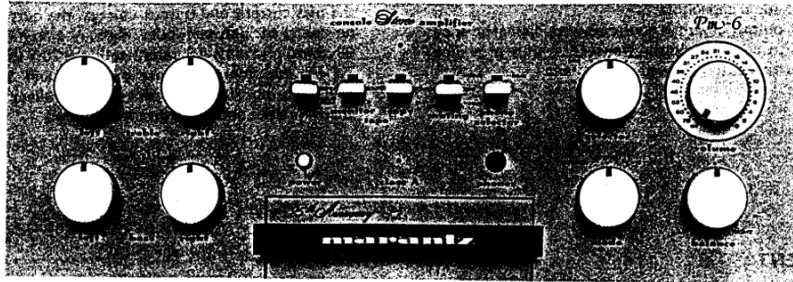
調整箇所
 入力
 出力 8Ω (LOAD)
 測定箇所

Lch TP1~TP2間、Rch TP4~TP5間にデジタル、ボルトメーターを接続し端子電圧が安定する(約30秒~1分)まで待ち、その後380mVになるようRH05、RH06を調整します。

サービスに必要な測定器

項目	使用法
乖率計	アンプ出力の歪と電圧を測定する。
低周波発振器	正弦波および矩形波の信号源として使用する。
オシロスコープ	波形分析およびトラブル・シューティングに使用する。
V T V M	電圧および抵抗値の測定に使用する。
交流ワット・メーター	アンプの一次側消費電力をモニターする。
電源電圧計	アンプの一次側電源電圧をモニターする。
スライダック (0~140V A C, 10A)	アンプの一次側電圧を調節する。
ショート用プラグ	雑音を拾わないようにアンプ入力を短絡するのに使用する。
出力負荷抵抗 (8Ω±0.5%, 250W)	アンプの出力に8Ωの負荷を与える。
出力負荷抵抗 (4Ω±0.5%, 250W)	アンプの出力に4Ωの負荷を与える。

MARANTZ MODEL Pm-6 STEREO PRE MAIN AMPLIFIER



FEATURES

- **MC HEAD amplifier**

The first stage uses 4 super-low noise NPN transistors and 4 super-low noise PNP transistors connected in parallel to form a push-pull circuit. The second stage is also a push-pull circuit. The output stage is a high gain SEPP amplifier. Totally, 13 transistors are used for a channel. The feedback circuit has very low impedance, thus improving the S/N. With this design, this MC head amplifier provides a high voltage gain (20 dB or 10 times) at a rated input of 220 μ V.

- **PHONO amplifier**

The PHONO amplifier is a unique Marantz full-stage push-pull circuit using 11 transistors that ensures low TIM distortion and a high S/N.

The first stage uses super-low noise, high Gm FETs in push-pull connection (N and P channels) and a cascode current mirror circuit to prevent the deterioration of the characteristics due to changes in input impedance. The PHONO signal is fed through the emitter follower buffer amplifier to the push-pull voltage amplifier in the second stage.

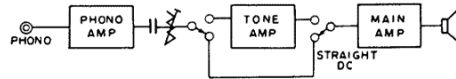
The output stage is an SEPP circuit which has sufficient driving ability. The equalizer circuit has a very low impedance so that the S/N is a high 90 dB at the rated input. This circuit uses high quality metallic film resistors ($\pm 1\%$) and polypropylene capacitors ($\pm 2\%$) to reduce the deviation from the RIAA characteristic to less 0.2 dB at 20 Hz - 20 kHz.

Optimum cartridge load can be selected between 27 k Ω , 47 k Ω and 100 k Ω by using the PHONO switch on the front panel. The output stage includes a muting relay to eliminate the shock noise which is normally generated when the power is turned on and off.

The output stage is also provided with an EQ subsonic filter to eliminate wow and flutter generated by the turntable.

- **Straight DC (Operation switch)**

By using this switch, the output of the PHONO amplifier, passing through the coupling capacitor, is directly fed to the main amplifier without affecting the gain and input sensitivity, thus the main amplifier operates in the STRAIGHT DC/TONE-IN/TONE-OUT mode.



- **Main amplifier**

The main amplifier has sufficient gain to provide 120W (class AB, 8 ohms) of output power at 150 mV input to ensure satisfactory STRAIGHT DC operation. This full-stage DC amplifier employs a unique Marantz circuit design to minimize TIM distortion and a DC servo circuit to eliminate DC drift.

- **Voltage amplifier stage**

The input stage uses a matched pair of dual FETs as a source follower amplifier to prevent the deterioration of the characteristics due to changes in input impedance. The low impedance signal is amplified by the dual transistor differential amplifier with an active load balancing circuit. The differential output is fed through the emitter follower buffer amplifier to the push-pull amplifier in the next stage.

- **PLUS**

The speaker protection circuit uses high performance ICs and relays. The power supply circuit is complete with a large, high regulation transformer and large capacity electrolytic audio capacitors.

The power output circuit is equipped with high efficiency heat sinks to cool the power transistors, thus providing continuous high output power.

Power amplifier stage

The power amplifier stage uses newly developed super-high f_T (70 ~ 90 MHz) power transistors connected in parallel to form a 3-stage Darlington circuit. By selecting the bias current and output voltage, the output stage can be switched between pure class A amplification, 30W 98 ohms) and class AB amplification, 120W (8 ohms).

To use of unique Marantz push-pull and 2-pole phase compensating circuits provides excellent open-loop characteristics and distortion-free output.

ADJUSTMENT

- **Bias current adjustment**

1. Class B (Set the front panel CLASS A button to the OFF position.)

Adjustment: RH07 and RH08 (1 k Ω)

Input:

Output: 8-ohm load

Procedure: Connect a digital voltmeter across TP1 and TP2 (L ch.) and across TP4 and TP5 (R ch.). After the terminal voltages stabilize (30 ~ 60 seconds later), adjust RH07 and RH08 until the voltmeter reads 14 mV for each channel.

2. Class A (Press the front panel CLASS A button to the ON position.)

Adjustments: RH05 and RH06 (4.7 k Ω)

Input:

Output: 8-ohm load

Procedure: Connect a digital voltmeter across TP1 and TP2 (L ch.) and across TP4 and TP5 (R ch.). After the terminal voltages stabilize (30 ~ 60 seconds later), adjust RH05 and RH06 until the voltmeter reads 380 mV for each channel.

REQUIRED MEASURING INSTRUMENTS

Table 1. List of required measuring instruments

Item	Purpose
Distortion meter	Measures distortion in amplifier output and its voltage.
Audio frequency generator	Signal source for audio-frequency sine and square waves.
Oscilloscope	Waveform analysis and troubleshooting.
V T V M	Voltage and resistance measurement.
AC power meter	Monitors amplifier's primary power consumption.
Voltmeter	Monitors amplifier's primary supply voltage.
Slidac (0 ~ 140V AC, 10A)	Adjusts amplifier's primary supply voltage.
Shorting plug	Used to short input jacks for noise prevention.
Output load resistor (8 Ω \pm 0.5%, 250W)	Load to amplifier output (8 Ω).
Output load resistor (4 Ω \pm 0.5%, 250W)	Load to amplifier output (4 Ω).

Model Pm-6 (F)

Model Pm-6 (E)

REF. DESIG.	Q'TY	PART NO.	DESCRIPTION	REF. DESIG.	Q'TY	PART NO.	DESCRIPTION
				PE01	1	WK21441820	P.W. Board, Tone Amp (R)
					1	ZZ21441820	P.W. Board Assembly
				PF00	1	WK21441850	P.W. Board, Loudness
					1	ZZ21441850	P.W. Board Assembly
				PG00	1	WH21441310	P.W. Board, Mode Balance
					1	ZZ21441310	P.W. Board Assembly
				PH00	1	WK21441520	P.W. Board, Filter SW
					1	ZZ21441520	P.W. Board Assembly

TECHNICAL SPECIFICATIONS

AUDIO SECTION

Rated Power Output (20 Hz to 20 kHz, both channels driven)	120W x 2 (8 Ω Load) Class AB 30W x 2 (4 Ω Load) Class A
Power Bandwidth (8 Ω Load, THD 0.05%)	5 Hz to 100 kHz
THD (20 Hz to 20 kHz, 8 Ω Load)	0.015%
I.M. Distortion	0.015%
Frequency Response (20 Hz to 20 kHz)	+0, -0.2 dB
(+0, -1 dB)	5 Hz to 100 kHz
Damping Factor (8 Ω Load)	100
Input Sensitivity and Impedance (at MAIN IN)	1.5V/30 k Ω
Phono 1 (MM)	2.5 mV/27 k Ω /47 k Ω /100 k Ω
Phono 1 (MC)	125 μ V/75 Ω
Phono 2 (MM)	2.5 mV/47 k Ω
High Level	150 mV/40 k Ω
Rated Power Output and Impedance	
Pre Out	1.5V/220 Ω
Tape Out	150 mV/600 Ω
Frequency Response, RIAA 20 Hz to 20 kHz	\pm 0.2 dB
Equivalent Input Noise (Phono, IHF-A)	0.24 μ V
Dynamic Range (Phono)	120 dB
Signal-to-Noise Ratio (IHF-A Network)	
Phono (MM)	86 dB
Phono (MC)	68 dB
TAPE/TUNER/AUX	110 dB
Phono MAX Input Voltage, 1 kHz	
Phono (MM)	220 mV
Phono (MC)	10 mV
Tone Control Response	
Bass Range 100 Hz	\pm 8 dB
TREBLE Range 10 kHz	\pm 8 dB

GENERAL

Power Requirements	110/120/220/240V AC, 50/60 Hz
Power Consumption	350W
Dimensions	
Panel Width	16-3/8" (416 mm)
Panel Height	5-3/4" (146 mm)
Depth	13-1/16" (332 mm)
Weight	
Unit alone	34 lbs 1 oz (15.5 kg)

Model Pm-6 (F)

Model Pm-6 (E)

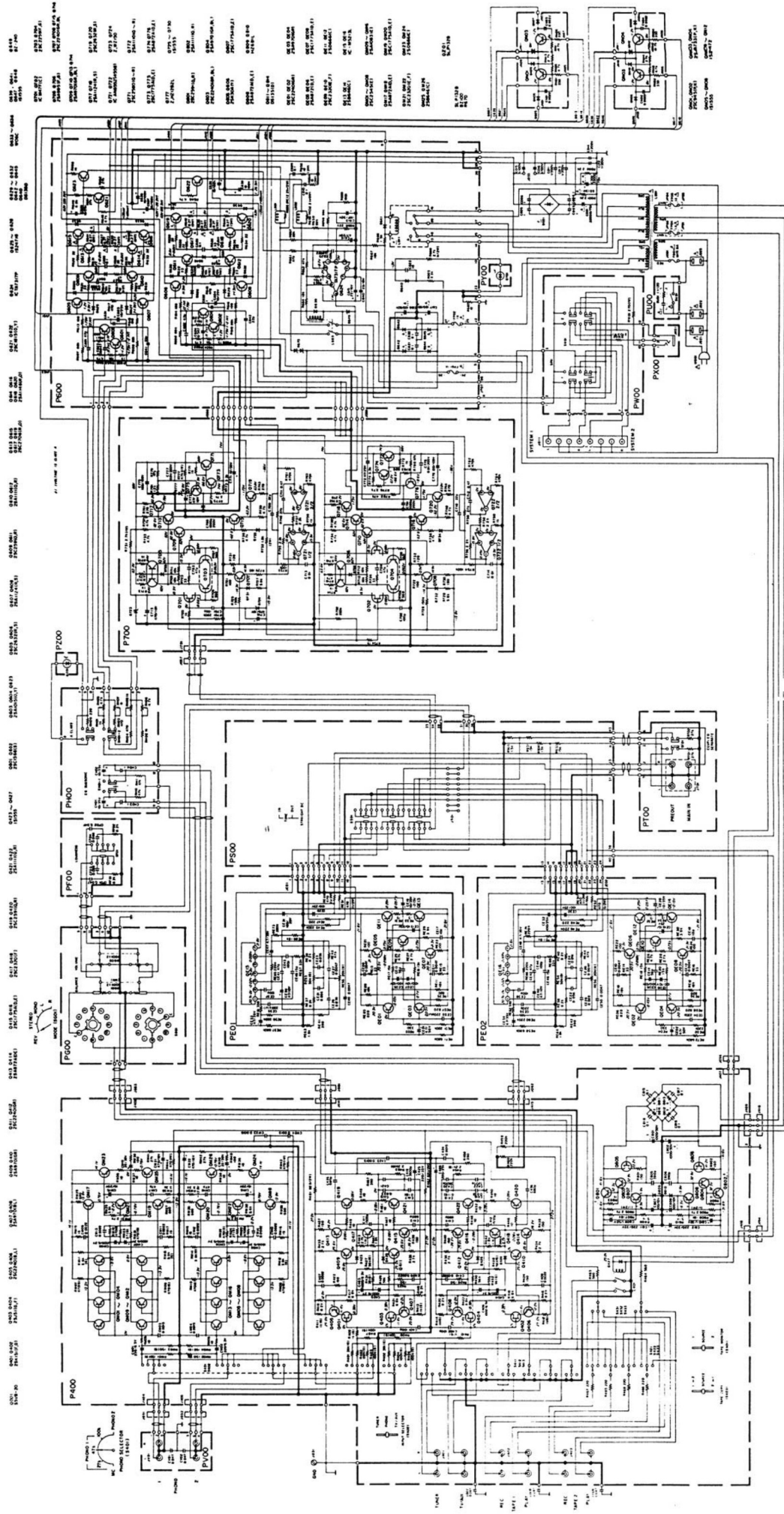
REF. DESIG.	Q'TY	PART NO.	DESCRIPTION	REF. DESIG.	Q'TY	PART NO.	DESCRIPTION
005D	1	2144861010	Label	005D	1	201H861010	Label
001E	1	2144160210	Bracket, Rear Panel	007D	1	59030805P1	Label
005E	1	1455259090	Bushing	001E	1	2144160220	Bracket, Rear Panel
				005E	1	1455259040	Bushing
				016E	1	201H053030	Cover
				017E	2	51280308U0	B.H. Tapped Screw B3 x 8
				018E	2	51280308U0	B.H. Tapped Screw B3 x 8
				901F	1	62030039W0	Lug
				902F	1	51280308B0	B.H. Tapped Screw B3 x 8
001S	1	2144801010	Packing Case	001S	1	2144801020	Packing Case
005S	1	2864804010	Sleeve	007S	1	2144851310	Instructions
007S	1	2144851110	Instructions				
010S	1	9631000110	Guarantee Card	012S	2	9526019060	Serial No. Card
012S	2	9526019040	Serial No. Card				
013S	1	2976813020	Envelope				
014S	1	2976851040	Instructions				
018S	1	9650000030	S. Station Card				
023S	1	2461107010	Sheet	024S	1	2147863010	Hang Tag
				030S	1	2731821010	Silicagel
				031S	1	2144856010	Circuit Diagram
				032S	1	2144851020	Instructions
				001R	1	2932861010	Label
				003R	1	2578861010	Label
				005R	1	2882861020	Label
				901R	1	2461861030	Label
				902R	1	2461861030	Label
				903R	1	2461861020	Label
GU01	1	BF10400030	Cap. Comp. 0.1 μ F + 120 Ω	GU01	1	BF10400060	Cap. Comp. 0.1 μ F + 120 Ω
				J091	1	BY05080010	Voltage Selector
L001	1	TS60508010	Power Transformer	L001	1	TS60508040	Power Transformer
PN00	1	YH22870210	P.W. Board, ASO Protector				
W001	1	YC02400180	A.C. Power Cord	W001	1	YC01900030	A.C. Power Cord
015F	1	2144123010	Contacto	015F	1	2144123070	Contacto
016F	1	2144123020	Contacto				
017F	1	2144123030	Contacto				
019F	3	51100308E0	B.H.B. Screw B3 x 8	006F	2	201H120010	Insulator
007L	1	2144259020	Bushing for Power Transistor				
044L	1	51280306U0	B.H. Tapped Screw B3 x 6	045L	2	62051870W0	Lug
CH01	1	EA10603590	Elect 10 μ F 35V	CH01	1	EQ10602510	Elect 10 μ F 25V
CH02	1	EA10603590	Elect 10 μ F 35V	CH02	1	EQ10602510	Elect 10 μ F 25V
RH03	1	GD05471140	470 Ω	RH03	1	GD05271140	270 Ω
RH04	1	GD05471140	470 Ω	RH04	1	GD05271140	270 Ω
C703	1	DF76470550	Film 47pF \pm 10%	C703	1	DF76680550	Film 68pF
C704	1	DF76470550	Film 47pF \pm 10%	C704	1	DF76680550	Film 68pF
C711	1	DF16474510	Film 0.47 μ F \pm 10%	C711	1	DF16105510	Film 1 μ F
C712	1	DF16474510	Film 0.47 μ F \pm 10%	C712	1	DF16105510	Film 1 μ F
C773	1	EA47601630	Elect 47 μ F 16V				
C775	1	EA10710010	Elect 100 μ F 100V	C775	1	EA22708020	Elect 220 μ F 80V
C776	1	EA10710010	Elect 100 μ F 100V	C776	1	EA22708020	Elect 220 μ F 80V

Model Pm-6 (F)

Model Pm-6 (E)

REF. DESIG.	Q'TY	PART NO.	DESCRIPTION	REF. DESIG.	Q'TY	PART NO.	DESCRIPTION
R723	1	GD05330140	33Ω 1/4W	R723	1	GD05331140	330Ω 1/4W
R724	1	GD05330140	33Ω 1/4W	R724	1	GD05331140	330Ω 1/4W
R761	1	GD05474140	470KΩ 1/4W	R761	1	GD05334140	330KΩ 1/4W
R762	1	GD05474140	470KΩ 1/4W	R762	1	GD05334140	330KΩ 1/4W
R763	1	GD05474140	470KΩ 1/4W	R763	1	GD05334140	330KΩ 1/4W
R764	1	GD05474140	470KΩ 1/4W	R764	1	GD05334140	330KΩ 1/4W
C603	1	EA10602530	Elect 10μF 25V	C603	1	EA10703540	Elect 100μF 35V
C604	1	EA10602530	Elect 10μF 25V	C604	1	EA10703540	Elect 100μF 35V
C616	1	EA22708020	Elect 220μF 80V	C616	1	EA22708050	Elect 100μF 80V
C617	1	EA22708020	Elect 220μF 80V	C617	1	EA22708050	Elect 100μF 80V
				C618	1	EA22708020	Elect 220μF 80V
				C619	1	EA22708020	Elect 220μF 80V
C631	1	DF16105510	Film 1μF ±10%				
C632	1	DF16105510	Film 1μF ±10%				
C640	1	EA22601630	Elect 22μF 16V				
C641	1	DF76220500	Film 220pF ±10%	C641	1	DF76220550	Film 22pF
C642	1	DF76220500	Film 22pF ±10%	C642	1	DF76220550	Film 22pF
Q613	1	HT327062A0	Transistor 2SC2706 (R or O)	Q613	1	HT328372A0	Transistor 2SC2837 (R or O)
Q614	1	HT111462A0	Transistor 2SA1146 (R or O)	Q614	1	HT111862A0	Transistor 2SA1186 (R or O)
Q615	1	HT327062A0	Transistor 2SC2706 (R or O)	Q615	1	HT328372A0	Transistor 2SC2837 (R or O)
Q616	1	HT111462A0	Transistor 2SA1146 (R or O)	Q616	1	HT111862A0	Transistor 2SA1186 (R or O)
Q617	1	HT327062A0	Transistor 2SC2706 (R or O)	Q617	1	HT328372A0	Transistor 2SC2837 (R or O)
Q618	1	HT111462A0	Transistor 2SA1146 (R or O)	Q618	1	HT111862A0	Transistor 2SA1186 (R or O)
Q619	1	HT327062A0	Transistor 2SC2706 (R or O)	Q619	1	HT328372A0	Transistor 2SC2837 (R or O)
Q620	1	HT111462A0	Transistor 2SA1146 (R or O)	Q620	1	HT111862A0	Transistor 2SA1186 (R or O)
CM19	1	EA22603590	Elect 22μF 35V	CM19	1	EQ22602520	Elect 22μF 25V
CM20	1	EA22603590	Elect 22μF 35V	CM20	1	EQ22602520	Elect 22μF 25V
R809	1	GD05512140	5.1KΩ 1/4W	R809	1	GM21448710	4.87KΩ 1/4W
R810	1	GD05512140	5.1KΩ 1/4W	R810	1	GM21448710	4.87KΩ 1/4W
CE19	1	EA10603530	Elect 10μF 35V	CE19	1	EQ10602510	Elect 10μF 25V
CE20	1	EA10603530	Elect 10μF 35V	CE20	1	EQ10602510	Elect 10μF 25V
RE49	1	GD05471120	470Ω 1/2W	RE49	1	GG05471120	470Ω 1/2W
RE50	1	GD05471120	470Ω 1/2W	RE50	1	GG05471120	470Ω 1/2W
RE51	1	GD05471120	470Ω 1/2W	RE51	1	GG05471120	470Ω 1/2W
RE52	1	GD05471120	470Ω 1/2W	RE52	1	GG05471120	470Ω 1/2W
JX01	1	YJ01001340	Jack, Head Phone	C010	1	DF16103350	Film Cap. 0.01μF 50V
				JX01	1	YJ01001400	Jack, Head Phone
				J063	1	YB00250070	Connective Cord
				J064	1	YB00250080	Connective Cord
				J065	1	YB00250090	Connective Cord
				O06L	1	201H120010	Insulator
				P400	1	WK21441510	P.W. Board, Pre Amp
					1	ZZ21441510	P.W. Board Assembly
				P401	1	WH21441330	P.W. Board, MM TR
					1	ZZ21441330	P.W. Board Assembly
				P600	1	WK21441210	P.W. Board, Output Amp
					1	ZZ21441210	P.W. Board Assembly
				P700	1	WK21441220	P.W. Board, Voltage
					1	ZZ21441220	P.W. Board Assembly
				PE01	1	WK21441810	P.W. Board, Tone Amp (L)
					1	ZZ21441810	P.W. Board Assembly

Model Pm-6

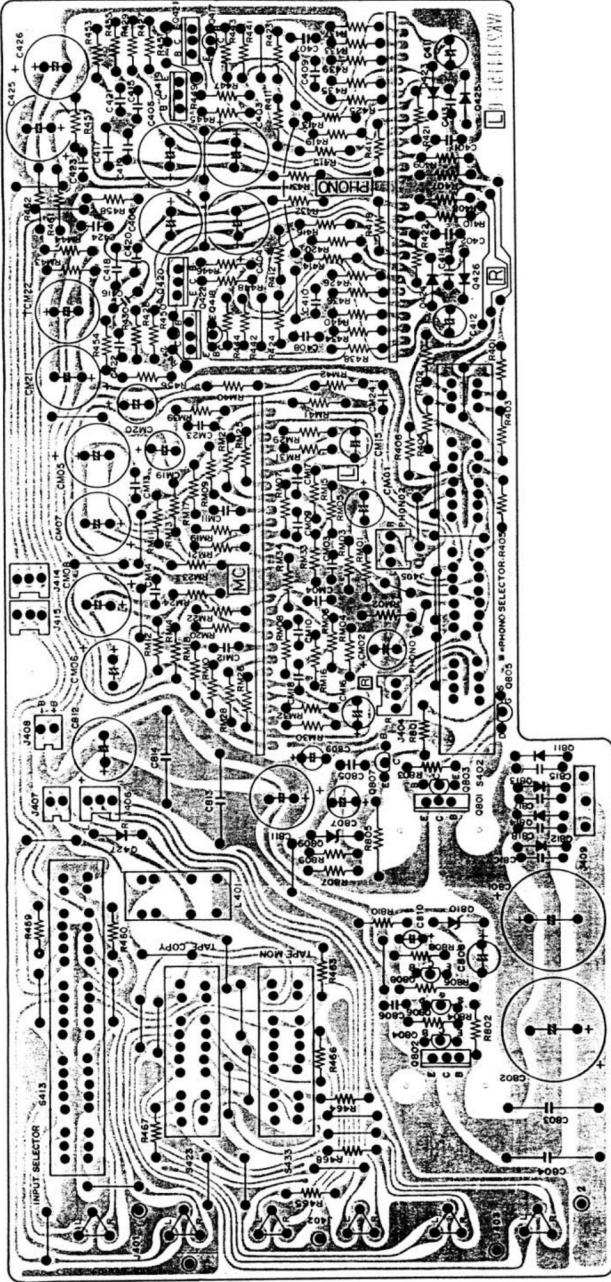
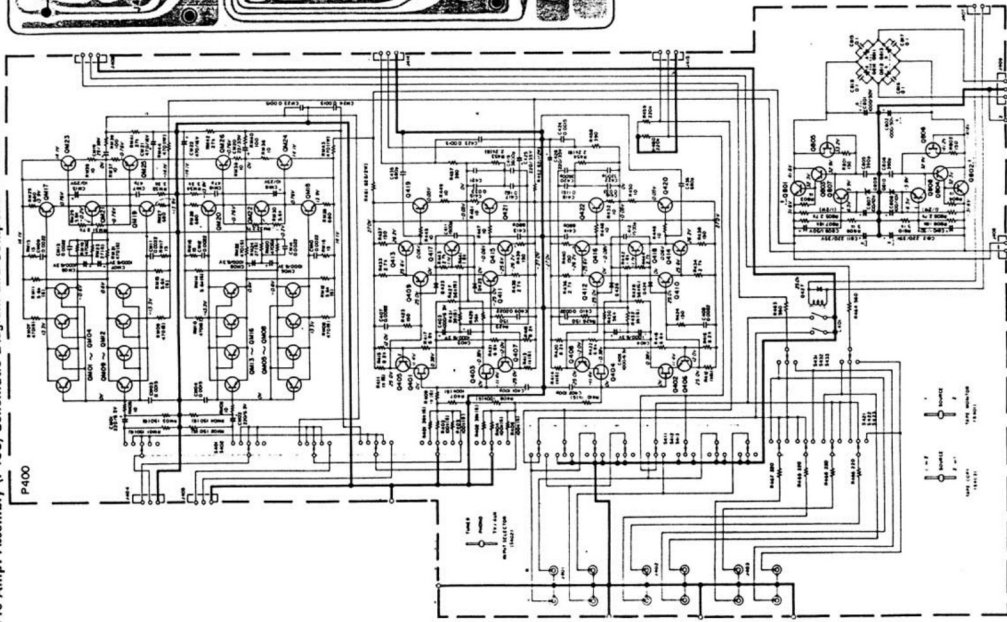


(安全上の注意: △が付いている部品は、安全上重要な部品です。必ず指定されている部品番号の部品を使用してください。)

本機の回路は改良のため予告なく変更することがありますが、ご了承ください。

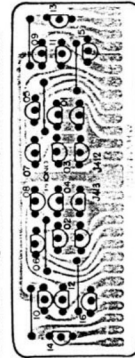
☒ 回路图之基板

Pre Amp. Assembly (P400) Schematic Diagram and Component Locations

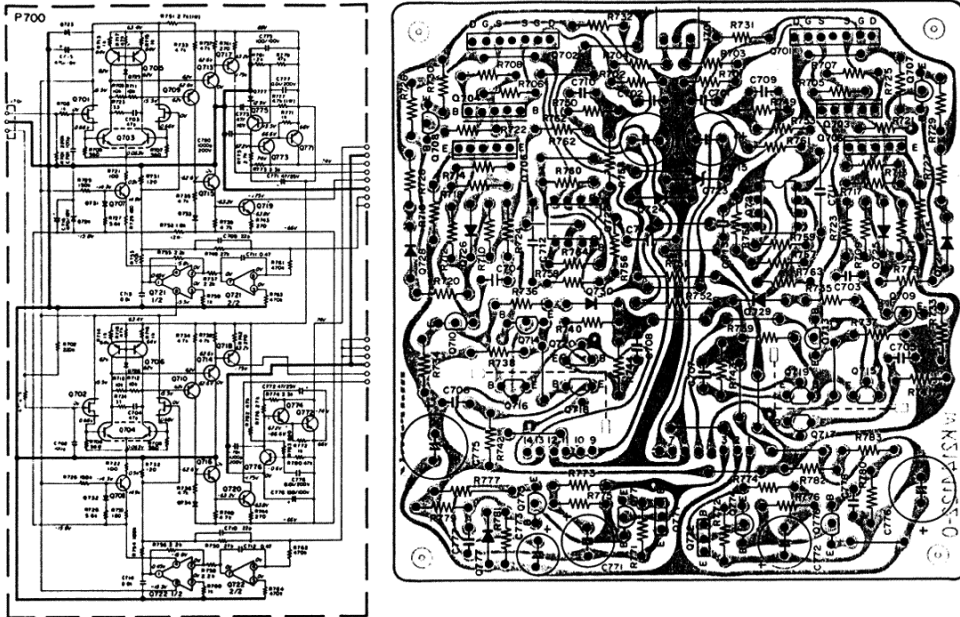


MM Transistor Block Assembly (P401)

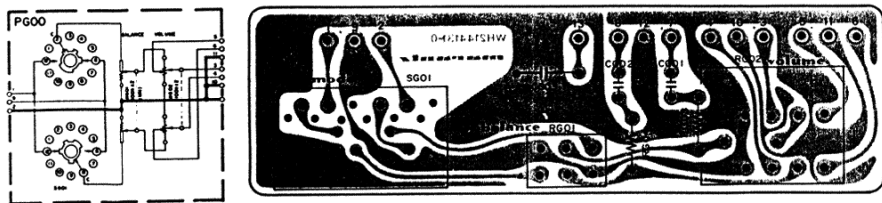
Schematic Diagram and Component Locations



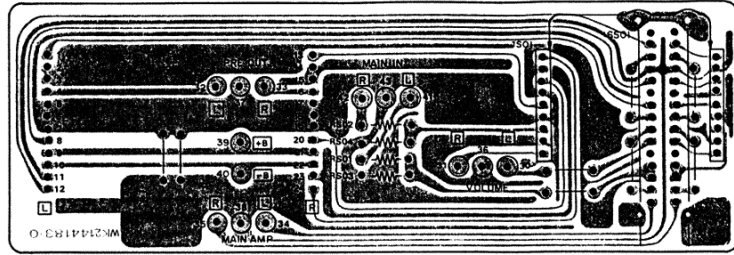
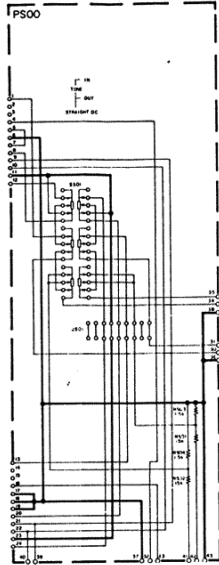
Voltage Amp. Assembly (P700) Schematic Diagram and Component Locations



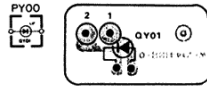
Balance Control Assembly (PG00) Schematic Diagram and Component Locations



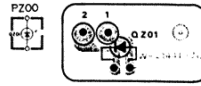
Straight DC Assembly (PS00) Schematic Diagram and Component Locations



L.E.D. Power Ind. Assembly (PY00) Schematic Diagram and Component Locations



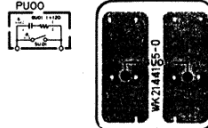
L.E.D. Class A Ind. Assembly (PZ00) Schematic Diagram and Component Locations



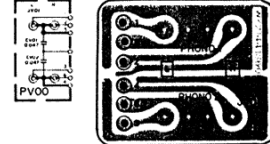
Head Phone Assembly (PX00) Schematic Diagram and Component Locations



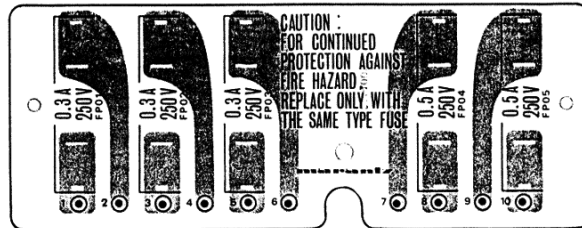
Power Switch Assembly (PU00) Schematic Diagram and Component Locations



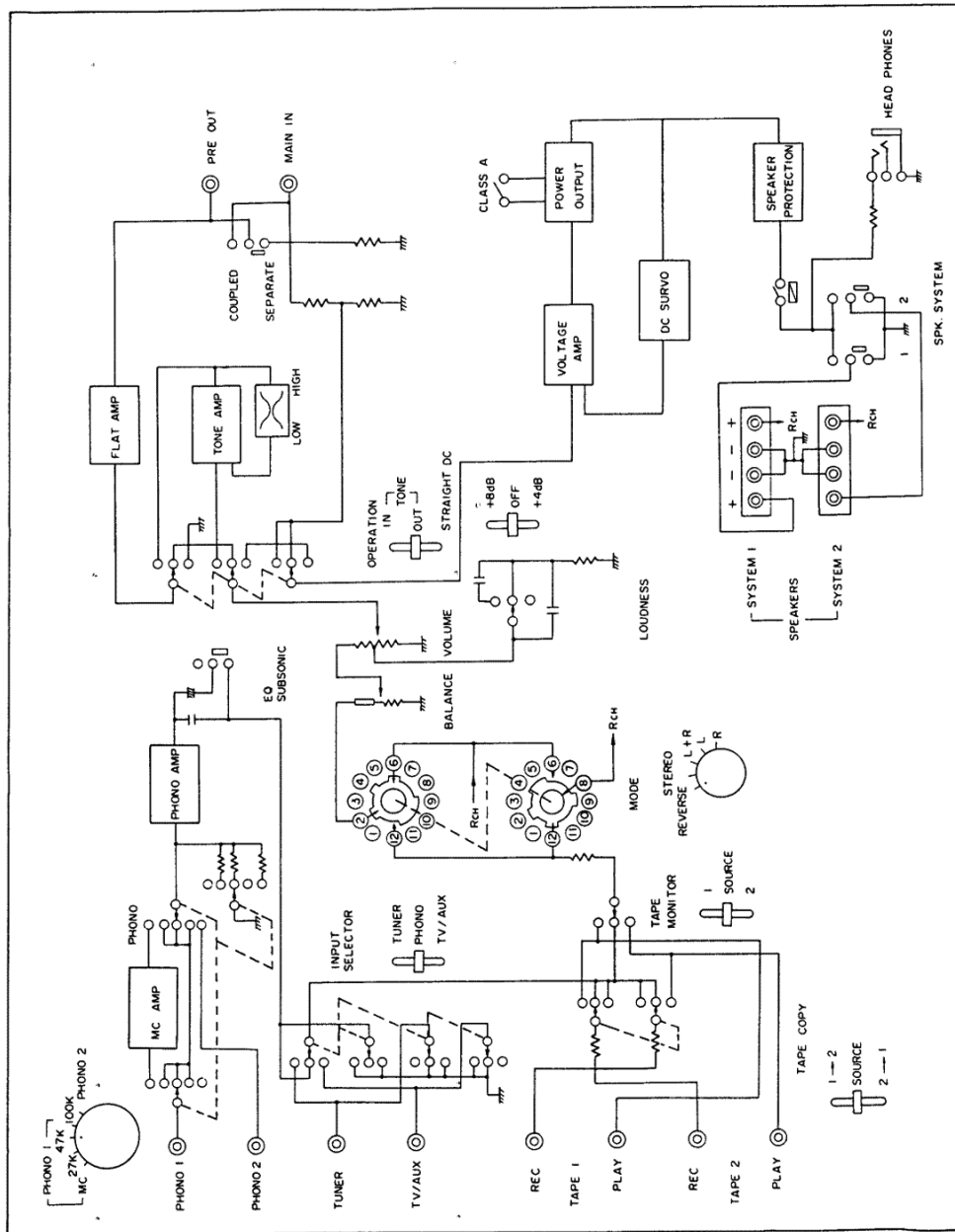
Phone Input Assembly (PV00) Schematic Diagram and Component Locations



Fuse Assembly (PP00) Component Locations

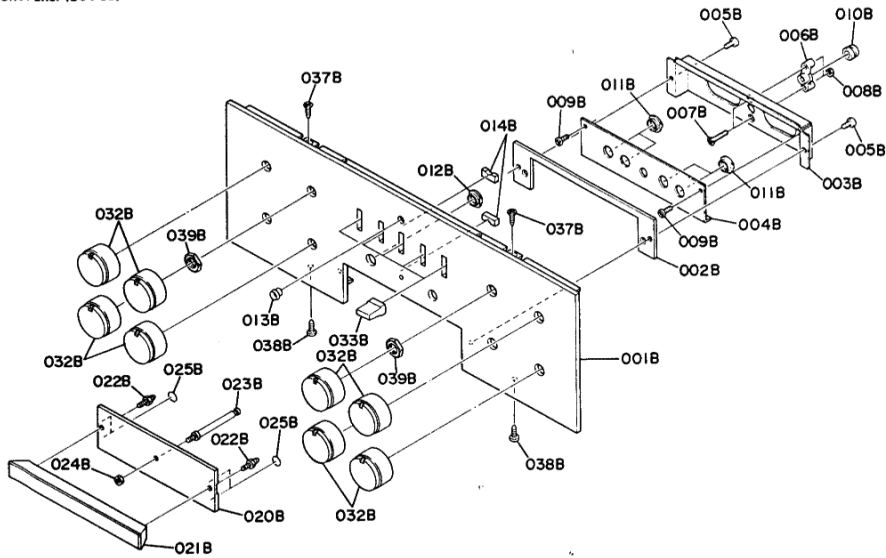


☒ ブロックダイアグラム



☒ 分解及び部品表

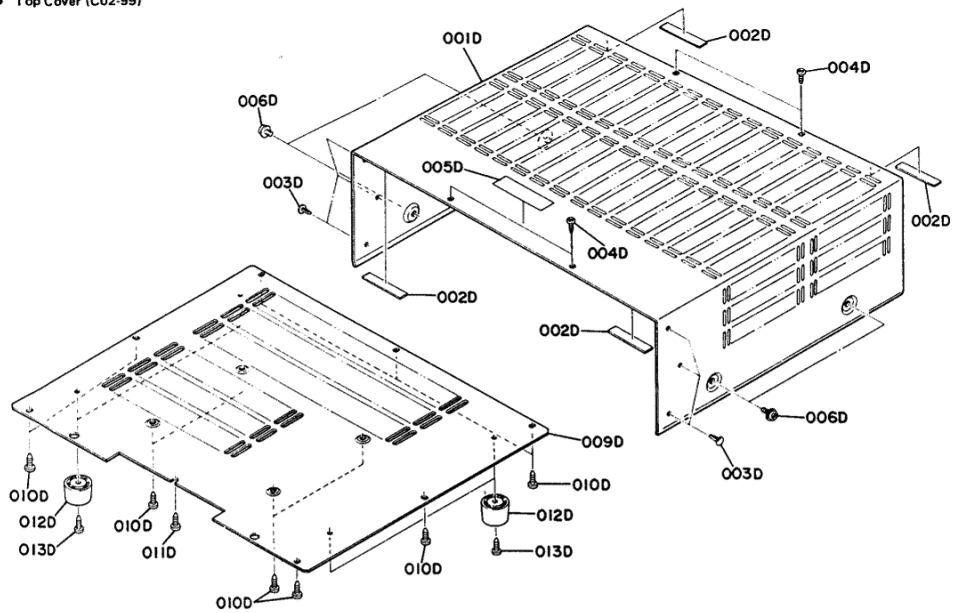
● Front Panel (C01-99)



REF. DESIG.	QTY F	PART NO.	DESCRIPTION
A	1	2144063400	Front Panel Assembly
001B	1	2144063010	Escutcheon, Front Panel
002B	1	2461063030	Escutcheon, Pocket Frame
003B	1	2144160020	Bracket
004B	1	2144063020	Escutcheon, Pocket Panel
005B	2	51060305A9	P.H.M. Screw P3 x 5
006B	1	2461271010	Holder
007B	2	51042610A0	F.H.M. Screw F2.6 x 10
008B	2	53112603A0	Hexagon Nut
009B	2	51100204E0	B.H.M. Screw B2 x 4
010B	1	1143259010	Bushing, Pin Holder
011B	4	2978259010	Bushing, Push Switch
012B	1	2978259010	Bushing, Power Switch
013B	1	2462259010	Bushing, LED

REF. DESIG.	QTY F	PART NO.	DESCRIPTION
B	1	2144063410	Pocket Cover Assembly
020B	1	2461063050	Escutcheon, Pocket Cover
021B	1	2461253110	Handle
022B	2	2461254010	Pin
023B	1	2461254020	Pin
024B	1	53110303E9	Hexagon Nut
025B	4	2461107020	Sheet
014B	2	2112053030	Cover
032B	8	2462154260	Knob
033B	5	2144154110	Knob, Lever Switch
037B	2	51340306B0	F.H. Tapped Screw F3 x 6
038B	2	51280308U0	B.H. Tapped Screw B3 x 8
039B	2	53118129G0	Hexagon Nut

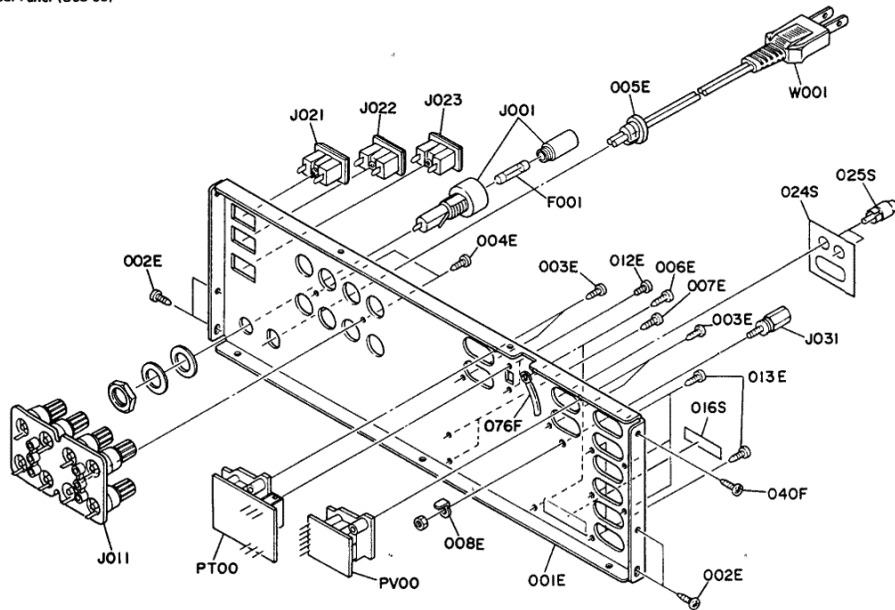
• Top Cover (C02-99)



REF. DESIG.	QTY F	PART NO.	DESCRIPTION
001D	1	2461257010	Lid, Top Cover
002D	4	2965118010	Spacer
003D	6	2991259010	Bushing
004D	4	5126030820	Tapped Screw 3 x 8
005D	1	2144861010	Label
006D	4	5148040629	F. Washer Screw 4 x 6

REF. DESIG.	QTY F	PART NO.	DESCRIPTION
009D	1	2144257010	Lid, Bottom Cover
010D	11	51280410U0	B.H. Tapped Screw B4 x 10
011D	1	51280406U0	B.H. Tapped Screw B4 x 6
012D	4	2759057010	Leg
013D	4	51570410S0	P. Taptite Screw P4 x 10

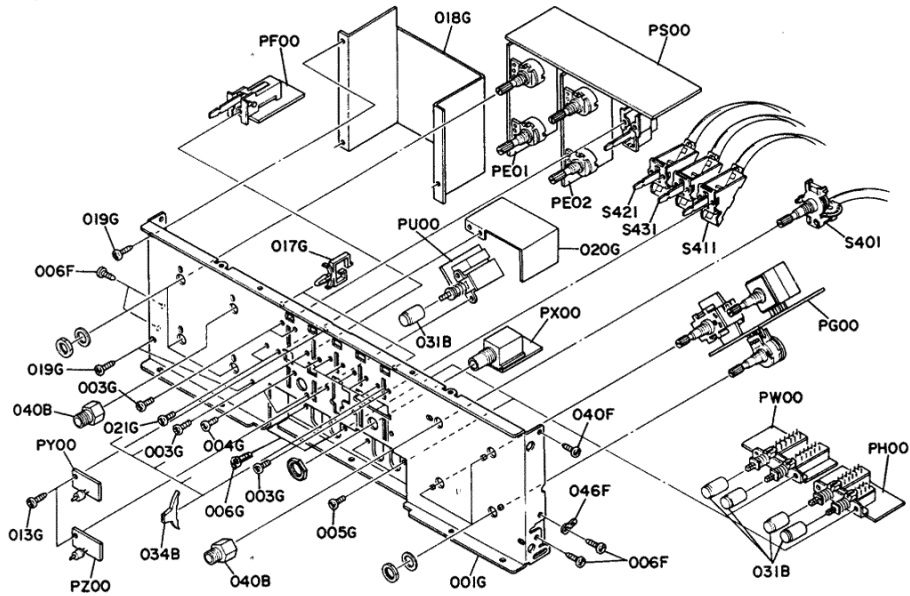
• Rear Panel (C03-99)



REF. DESIG.	QTY F	PART NO.	DESCRIPTION
001E	1	2144160210	Bracket, Rear Panel
002E	4	51100308S9	B.H.M. Screw B3 x 8
003E	4	51280308U0	B.H. Tapped Screw B3 x 8
004E	2	51280308U0	B.H. Tapped Screw B3 x 8
005E	1	1455259090	Bushing
006E	2	51280308U0	B.H. Tapped Screw B3 x 8
007E	2	51280308U0	B.H. Tapped Screw B3 x 8
008E	1	62040029W0	Lug
012E	2	51102605S0	B.H.M. Screw B2.6 x 5
013E	6	51280308U0	B.H. Tapped Screw B3 x 8
040F	1	51280308B0	B.H. Tapped Screw B3 x 8
076F	1	4220005040	Clamper

REF. DESIG.	QTY F	PART NO.	DESCRIPTION
016S	1	2112265010	Indicator
024S	1	2144863010	Hang Tag
025S	2	YQ01000020	Short Plug
.F001	1	FS10800010	Fuse 8A 250V
.J001	1	YJ08000300	Jack, Fuse Holder
J011	1	YT01080030	Terminal, Speaker System
.J021	1	YJ04000560	Jack, AC Outlet
.J022	1	YJ04000560	Jack, AC Outlet
.J023	1	YJ04000560	Jack, AC Outlet
J031	1	YT01010050	Terminal, Ground
J032	1	YL01020080	Terminal (2P)
.W001	1	YC02400182	A.C. Power Cord

• Front Chassis and General Parts



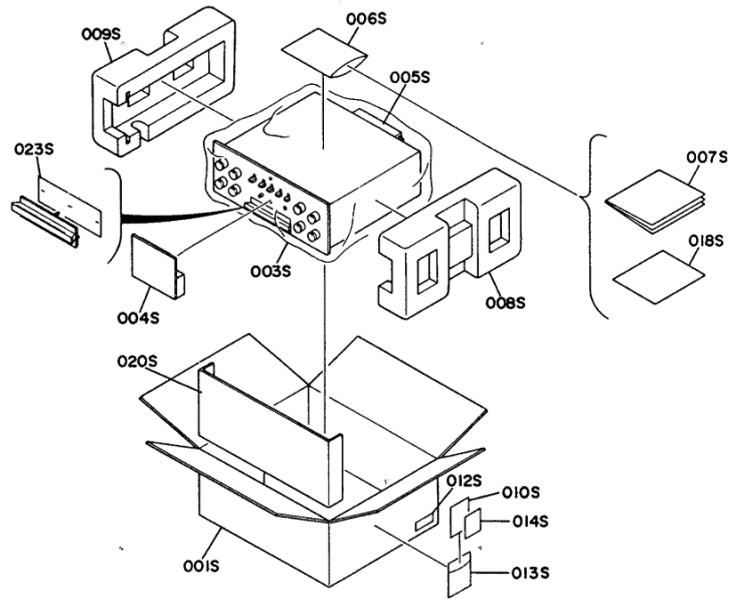
REF. DESIG.	QTY F	PART NO.	DESCRIPTION
O31B	5	2462154220	Knob, Push Switch
O34B	5	2144259010	Bushing, Lever Switch
O40B	2	2462101040	Support
O06F	4	5128030880	B. H. Tapped Screw B3 x 8
O40F	1	5128030880	B.H. Tapped Screw B3 x 8
O46F	1	62030039W0	Lug
O01G	1	2144160010	Bracket, Front Chassis
O03G	10	51100306A9	B.H.M. Screw B3 x 6
O04G	2	51100306A9	B.H.M. Screw B3 x 6
O05G	2	51100306A9	B.H.M. Screw B3 x 6
O13G	2	5128030880	B.H. Tapped Screw B3 x 8
O17G	2	2129005010	Clamper
O18G	1	2144109050	Shield
O19G	3	5128030880	B.H. Tapped Screw B3 x 8
O20G	1	2144109020	Shield
O21G	2	51100306A9	B.H.M. Screw B3 x 6
O06G	2	51100306A9	B.H.M. Screw B3 x 6

REF. DESIG.	QTY F	PART NO.	DESCRIPTION
S401	1	SR00050040	Rotary Switch, Phone Selector
S411	1	SC00030010	Switch, Input Selector
S421	1	SC00030010	Switch, Tape Copy
S431	1	SC00030010	Switch, Tape Monitor

REF. DESIG.	QTY		PART NO.	DESCRIPTION
	F	F		
001F	1		2144105010	Chassis, Center
002F	1		2979105020	Side Chassis (R)
003F	1		2979105030	Side Chassis (L)
005F	6		5128040880	B.H. Tapped Screw 84 x 8
008F	4		51490410S9	L. Washer Screw 4 x 10
009F	1		2144109030	Shield
014F	6		51480406S9	F. Washer Screw 4 x 6
015F	1		2144123010	Contacto
016F	1		2144123020	Contacto
017F	1		2144123030	Contacto
019F	3		51100308E9	B.H.M. Screw 83 x 8
034F	1		2144109010	Shield
035F	2		51280308U0	B.H. Tapped Screw 83 x 8
036F	2		2144267030	Heatsink
037F	2		51280308B0	B.H. Tapped Screw 83 x 8
038F	4		51300308B0	P.H. Tapped Screw P3 x 8
039F	1		2144160080	Bracket
041F	2		51280308B0	B.H. Tapped Screw 83 x 8
044F	1		51280308B0	B.H. Tapped Screw 83 x 8
045F	2		51280308B0	B.H. Tapped Screw 83 x 8
046F	1		62030039W0	Lug
047F	1		51280308B0	B.H. Tapped Screw 83 x 8
048F	5		2129005010	Clamper
049F	1		2886005060	Clamper
050F	1		2144160090	Bracket
051F	2		51500306B0	F.H. Tapped Screw F3 x 6
052F	2		51280306B0	B.H. Tapped Screw 83 x 6
055F	1		62030049W0	Lug
056F	1		62030049W0	Lug
001L	1		2144267010	Heatsink
002L	1		2144160040	Bracket
003L	1		2144160050	Bracket
004L	4		51280306B0	B.H. Tapped Screw 83 x 6
008L	8		52730310S9	H.S. Head Bolt 3 x 10
009L	8		54020301E0	Flat Washer, P.
010L	8		54040302N0	Spring Washer
011L	1		2144160070	Bracket
012L	2		51280306U0	B.H. Tapped Screw 83 x 6
013L	2		51280308U0	B.H. Tapped Screw 83 x 8
016L	1		2886005020	Clamper
022L	4		2212267020	Heatsink
023L	8		51280308B0	B.H. Tapped Screw 83 x 8
024L	4		51280308B0	B.H. Tapped Screw 83 x 8
030L	1		2144267020	Heatsink
031L	1		51280314B0	B.H. Tapped Screw 83 x 14
032L	2		51280308U0	B.H. Tapped Screw 83 x 8
033L	1		2887005110	Clamper
040L	1		2144160060	Bracket
041L	3		51280308U0	B.H. Tapped Screw 83 x 8
042L	2		51280308U0	B.H. Tapped SCrew 83 x 8
043L	2		51280308U0	B.H. Tapped Screw 83 x 8
044L	1		51280306U0	B.H. Tapped Screw 83 x 6
047L	4		51260308B0	Screw 3 x 8
048L	4		51280308U0	B.H. Tapped Screw 83 x 8
050L	4		59030808P0	Washer
051L	2		2144118010	Spacer
053L	1		2144123040	Contacto
054L	1		2144123050	Contacto
055L	1		2144123060	Contacto
056L	3		62031240W0	Lug

REF. DESIG.	QTY		PART NO.	DESCRIPTION
	F	F		
±.C001	1		EB22907510	Elect. Cap. 22000µF 75V
±.C002	1		EB22907510	Elect. Cap. 22000µF 75V
C003	1		DF17104520	Film Cap. 0.1µF ±20% 200V
C004	1		DF17104520	Film Cap. 0.1µF ±20% 200V
C005	1		DF17104520	Film Cap. 0.1µF ±20% 200V
C006	1		DF17104520	Film Cap. 0.1µF ±20% 200V
C007	1		DK18473320	Ceramic Cap. 0.47µF 50V
C008	1		DK18473320	Ceramic Cap. 0.47µF 50V
C009	1		DK18473320	Ceramic Cap. 0.47µF 50V
J033	1		YL01040160	Terminal, (4P)
J051	1		YJ06002200	Jack, (3P)
J052	1		YJ06002210	Jack, (3P)
J053	1		YJ06002220	Jack, (3P)
J054	1		YJ06002230	Jack, (2P)
J056	1		YJ06002240	Jack, (2P)
J057	1		YJ06002250	Jack, (3P)
J061	1		YJ06002300	Jack, (3P)
J062	1		YJ06002310	Jack, (3P)
±.L001	1		TS60508010	Power Transformer
±.L011	1		LY20480050	Relay FRL263
±.Q001	1		HD20004290	Diode S5VB-20
±.R001	1		GS10222030	Resistor 2.2KΩ ±10% 3W
±.R002	1		GS10222030	Resistor 2.2KΩ ±10% 3W
R003	1		GD05332140	Resistor 3.3KΩ ±5% ¼W
C011	1		DF17105540	Film 1µF ±20%
C012	1		DF17105540	Film 1µF ±20%
C013	1		DF17105540	Film 1µF ±20%
C014	1		DF17105540	Film 1µF ±20%
C015	1		DF16105520	Film 1µF ±10%
C016	1		DF16105520	Film 1µF ±10%
J058	1		YU08200010	Jumper Lead 115mm
J059	1		YU06200010	Jumper Lead
043F	1		59030805P1	Washer
053F	1		62030039W0	Lug For Chassis
007L	8		2144259020	Bushing For Power Transistor
013L	2		51280308U0	B.H. Tapped Screw 83 x 8
034L	1		2144267040	Heatsink
035L	2		51280308B0	R.H.M. Screw 83 x 8
049L	1		2144109040	Shield
070F	2		9510601010	1A 250V FUSE (LABEL)
071F	4		62051870W0	Lug for C011-C014

• Packing Materials



REF. DESIG.	QTY F	PART NO.	DESCRIPTION
001S	1	2144801010	Packing Case
002S	1	9090909040	Polyethylene Sheet
003S	1	2144809020	Cushion
004S	1	2864804010	Sleeve
005S	1	9013025010	Polyethylene Bag
006S	1	2144851110	Instructions
007S	1	2139809010	Cushion (R)
008S	1	2139809020	Cushion (L)

REF. DESIG.	QTY F	PART NO.	DESCRIPTION
010S	1	9631000110	Guarantee Card
012S	2	9526019040	Serial No. Card
013S	1	2976813020	Envelope
014S	1	2976851040	Instructions
018S	1	9650000030	S. Station Card
020S	1	2144807010	Reinforcing Sheet
023S	1	2461107010	Sheet

☒電気部品表

REF. DESIG.	QTY F	PART NO.	DESCRIPTION
P400	1	WK21441510	P400-PRE-AMP. CIRCUIT BOARD P.W. Board, Pre-Amp.
			P400-CAPACITORS
CM01	1	EA22700690	Elect 220 μ F 6.3V
CM02	1	EA22700690	Elect 220 μ F 6.3V
CM03	1	DF16152510	Film 0.0015 μ F \pm 10%
CM04	1	DF16152510	Film 0.0015 μ F \pm 10%
CM05	1	EA10800690	Elect 1000 μ F 6.3V
CM06	1	EA10800690	Elect 1000 μ F 6.3V
CM07	1	EA10800690	Elect 1000 μ F 6.3V
CM08	1	EA10800690	Elect 1000 μ F 6.3V
CM09	1	DF16222510	Film 0.0022 μ F \pm 10%
CM10	1	DF16222510	Film 0.0022 μ F \pm 10%
CM11	1	DF16222510	Film 0.0022 μ F \pm 10%
CM12	1	DF16222510	Film 0.0022 μ F \pm 10%
CM13	1	DF16222510	Film 0.0022 μ F \pm 10%
CM14	1	DF16222510	Film 0.0022 μ F \pm 10%
CM15	1	EA10602530	Elect 10 μ F 25V
CM16	1	EA10602530	Elect 10 μ F 25V
CM17	1	DF76470550	Film 47pF \pm 10%
CM18	1	DF76470550	Film 47pF \pm 10%
CM19	1	EA22603590	Elect 22 μ F 35V
CM20	1	EA22603590	Elect 22 μ F 35V
CM21	1	EA47701690	Elect 470 μ F 16V
CM22	1	EA47701690	Elect 470 μ F 16V
CM23	1	DF16152510	Film 0.0015 μ F \pm 10%
CM24	1	DF16152510	Film 0.0015 μ F \pm 10%
C401	1	DF76101550	Film 100pF \pm 10%
C402	1	DF76101550	Film 100pF \pm 10%
C403	1	EA10800690	Elect 1000 μ F 6.3V
C404	1	EA10800690	Elect 1000 μ F 6.3V
C405	1	EA10800690	Elect 1000 μ F 6.3V
C406	1	EA10800690	Elect 1000 μ F 6.3V
C407	1	DF16222510	Film 0.0022 μ F \pm 10%
C408	1	DF16222510	Film 0.0022 μ F \pm 10%
C409	1	DF16222510	Film 0.0022 μ F \pm 10%
C410	1	DF16222510	Film 0.0022 μ F \pm 10%
C411	1	DF16152300	Film 1500pF \pm 10%
C412	1	DF16152300	Film 1500pF \pm 10%
C413	1	DF55681090	Film 680pF \pm 5%
C414	1	DF55681090	Film 680pF \pm 5%
C415	1	DF74333010	Film 0.033 μ F \pm 2%
C416	1	DF74333010	Film 0.033 μ F \pm 2%
C417	1	DF74104010	Film 0.1 μ F \pm 2%
C418	1	DF74104010	Film 0.1 μ F \pm 2%
C419	1	DF14362010	Film 3600pF \pm 2%
C420	1	DF14362010	Film 3600pF \pm 2%
C421	1	DF64272010	Film 2700pF \pm 2%
C422	1	DF64272010	Film 2700pF \pm 2%
C423	1	DF16152510	Film 1500pF \pm 10%
C424	1	DF16152510	Film 1500pF \pm 10%
C425	1	EA22703590	Elect 220 μ F 35V
C426	1	EA22703590	Elect 220 μ F 35V
C435	1	DF55681090	Film 680pF \pm 5%
C436	1	DF55681090	Film 680pF \pm 5%
..C801	1	E810805070	Elect 1000 μ F 50V
..C802	1	E810805070	Elect 1000 μ F 50V
C805	1	DF55391090	Film 390pF \pm 5%
C806	1	DF55391090	Film 390pF \pm 5%
C807	1	EA10701030	Elect 100 μ F 10V

REF. DESIG.	QTY F	PART NO.	DESCRIPTION
C808	1	EA10701030	Elect 100 μ F 10V
C809	1	EA10505030	Elect 1 μ F 50V
C810	1	EA10505030	Elect 1 μ F 50V
..C811	1	EA22703590	Elect 220 μ F 35V
..C812	1	EA22703590	Elect 220 μ F 35V
C815	1	DK18103510	Ceramic 0.01 μ F
C816	1	DK18103510	Ceramic 0.01 μ F
C817	1	DK18103510	Ceramic 0.01 μ F
C818	1	DK18103510	Ceramic 0.01 μ F
			P400-RESISTORS (All Resistors are \pm 5% and $\frac{1}{4}$ W)
RM01	1	GM21415000	150 Ω \pm 2%
RM02	1	GM21415000	150 Ω \pm 2%
RM03	1	GM21415000	150 Ω \pm 2%
RM04	1	GM21415000	150 Ω \pm 2%
RM05	1	GD05010140	1 Ω
RM06	1	GD05010140	1 Ω
RM07	1	GM21447000	470 Ω \pm 2%
RM08	1	GM21447000	470 Ω \pm 2%
RM09	1	GM21447000	470 Ω \pm 2%
RM10	1	GM21447000	470 Ω \pm 2%
RM11	1	GM21456010	5.6K Ω \pm 2%
RM12	1	GM21456010	5.6K Ω \pm 2%
RM13	1	GM21456010	5.6K Ω \pm 2%
RM14	1	GM21456010	5.6K Ω \pm 2%
RM15	1	GD05150140	15 Ω
RM16	1	GD05150140	15 Ω
RM17	1	GD05150140	15 Ω
RM18	1	GD05150140	15 Ω
RM19	1	GM21447000	470 Ω \pm 2%
RM20	1	GM21447000	470 Ω \pm 2%
RM21	1	GM21447000	470 Ω \pm 2%
RM22	1	GM21447000	470 Ω \pm 2%
RM23	1	GM214270G0	27 Ω \pm 2%
RM24	1	GM214270G0	27 Ω \pm 2%
RM25	1	GD05680140	680 Ω
RM26	1	GD05680140	680 Ω
RM27	1	GD05680140	680 Ω
RM28	1	GD05680140	680 Ω
RM29	1	GD05562140	5.6K Ω
RM30	1	GD05562140	5.6K Ω
RM31	1	GD05272140	2.7K Ω
RM32	1	GD05272140	2.7K Ω
RM33	1	GD05332140	3.3K Ω
RM34	1	GD05332140	3.3K Ω
RM39	1	GD05101140	100 Ω
RM40	1	GD05101140	100 Ω
RM41	1	GD05273140	27K Ω
RM42	1	GD05273140	27K Ω
RM43	1	GA05471010	470 Ω 1W
RM44	1	GA05471010	470 Ω 1W
R401	1	GM21439020	39K Ω \pm 2%
R402	1	GM21439020	39K Ω \pm 2%
R403	1	GM21410030	100K Ω \pm 2%
R404	1	GM21410030	100K Ω \pm 2%
R405	1	GM21410030	100K Ω \pm 2%
R406	1	GM21410030	100K Ω \pm 2%
R407	1	GM21410030	100K Ω \pm 2%
R408	1	GM21410030	100K Ω \pm 2%
R409	1	GM21410010	100 Ω \pm 2%
R410	1	GM21410010	100 Ω \pm 2%

REF. DESIG.	Q'TY F	PART NO.	DESCRIPTION
R411	1	GM21410010	1K.Ω ±2%
R412	1	GM21410010	1K.Ω ±2%
R413	1	GM21410010	1K.Ω ±2%
R414	1	GM21410010	1K.Ω ±2%
R415	1	GD05822140	8.2K.Ω
R416	1	GD05822140	8.2K.Ω
R417	1	GD05682140	6.8K.Ω
R418	1	GD05682140	6.8K.Ω
R419	1	GD05822140	8.2K.Ω
R420	1	GD05822140	8.2K.Ω
R421	1	GD05682140	6.8K.Ω
R422	1	GD05682140	6.8K.Ω
R423	1	GD05151140	150Ω
R424	1	GD05151140	150Ω
R425	1	GD05151140	150Ω
R426	1	GD05151140	150Ω
R427	1	GM21456020	56K.Ω ±2%
R428	1	GM21456020	56K.Ω ±2%
R429	1	GM21456020	56K.Ω ±2%
R430	1	GM21456020	56K.Ω ±2%
R431	1	GM214390G0	39Ω ±2%
R432	1	GM214390G0	39Ω ±2%
R433	1	GD05272140	2.7K.Ω
R434	1	GD05272140	2.7K.Ω
R435	1	GD05272140	2.7K.Ω
R436	1	GD05272140	2.7K.Ω
R437	1	GD05151140	150Ω
R438	1	GD05151140	150Ω
R439	1	GD05151140	150Ω
R440	1	GD05151140	150Ω
R441	1	GD05182140	1.8K.Ω
R442	1	GD05182140	1.8K.Ω
R443	1	GD05272140	2.7K.Ω
R444	1	GD05272140	2.7K.Ω
R445	1	GD05100140	10Ω
R446	1	GD05100140	10Ω
R447	1	GD05100140	10Ω
R448	1	GD05100140	10Ω
R449	1	GD05100140	10Ω
R450	1	GD05100140	10Ω
R451	1	GD05100140	10Ω
R452	1	GD05100140	10Ω
R453	1	GM21422010	2.2K.Ω ±2%
R454	1	GM21422010	2.2K.Ω ±2%
R455	1	GM214680G0	68Ω ±2%
R456	1	GM214680G0	68Ω ±2%
R457	1	GD05391140	390Ω
R458	1	GD05391140	390Ω
R459	1	GD05224140	220K.Ω
R460	1	GD05224140	220K.Ω
R461	1	GG05820120	82Ω ½W
R462	1	GG05820120	82Ω ½W
R463	1	GD05561140	560Ω
R464	1	GD05561140	560Ω
R465	1	GD05221140	220Ω
R466	1	GD05221140	220Ω
R467	1	GD05221140	220Ω
R468	1	GD05221140	220Ω
R471	1	GD05222140	2.2K.Ω
R472	1	GD05222140	2.2K.Ω

REF. DESIG.	Q'TY F	PART NO.	DESCRIPTION
R801	1	GD05151140	150Ω
R802	1	GD05151140	150Ω
R803	1	GD05102140	1K.Ω
R804	1	GD05102140	1K.Ω
R805	1	GG05272120	2.7K.Ω ½W
R806	1	GG05272120	2.7K.Ω ½W
R807	1	GD05183140	18K.Ω
R808	1	GD05183140	18K.Ω
R809	1	GD05512140	5.1K.Ω
R810	1	GD05512140	5.1K.Ω
P400-SEMICONDUCTORS			
Q417	1	HT323201F0	Transistor 2SC2320(F)
Q418	1	HT323201F0	Transistor 2SC2320(F)
Q419	1	HT325912B0	Transistor 2SC2591(Q or R)
Q420	1	HT325912B0	Transistor 2SC2591(Q or R)
Q421	1	HT111112B0	Transistor 2SA1111(Q or R)
Q422	1	HT111112B0	Transistor 2SA1111(Q or R)
Q423	1	HD20011050	Diode 1S1555
Q424	1	HD20011050	Diode 1S1555
Q425	1	HD20011050	Diode 1S1555
Q426	1	HD20011050	Diode 1S1555
Q427	1	HD20011050	Diode 1S1555
Q801	1	HT325912B0	Transistor 2SC2591(Q or R)
Q802	1	HT111112B0	Transistor 2SA1111(Q or R)
Q803	1	HT322402A0	Transistor 2SC2240(GR or BL)
Q804	1	HT105702A0	Transistor 2SA970(GR or BL)
Q805	1	HF200301C0	F.E.T. 2SK30A(Y)
Q806	1	HF200301C0	F.E.T. 2SK30A(Y)
Q807	1	HT317752D0	Transistor 2SC1775A(D or E)
Q808	1	HT108722D0	Transistor 2SA872A(D or E)
Q809	1	HD30008010	Zener HZ681L
Q810	1	HD30008010	Zener HZ681L
Q811	1	HD20015030	Diode DS135D
Q812	1	HD20015030	Diode DS135D
Q813	1	HD20015030	Diode DS135D
Q814	1	HD20015030	Diode DS135D
P400-MISCELLANEOUS			
J401	1	YT02040330	Terminal (4P) RCA
J402	1	YT02040330	Terminal (4P) RCA
J403	1	YT02040330	Terminal (4P) RCA
J404	1	YP01001030	Plug (3P)
J405	1	YP01001030	Plug (3P)
J406	1	YP01001030	Plug (3P)
J407	1	YP10001980	Plug (2P)
J408	1	YP10001980	Plug (2P)
J409	1	YP06001040	Plug (3P)
J414	1	YP01001030	Plug (3P)
J415	1	YP01001030	Plug (3P)
J416	1	YJ06001040	Jack (3P)
L401	1	LY20240160	Relay FRL-644D24/2BS
S401	1	SR00050040	Rotary Switch, Phono Selector
S402	1	SS06060030	Slide Switch Phono
S411	1	SC00030010	Switch, Input Selector
S412	1	SB13070020	Switch Band, FLX
S413	1	SS08040020	Slide Switch 8-4 S Main
S421	1	SC00030010	Switch, Tape Copy
S422	1	SB13970010	Switch Band, FLX, Tape cope
S423	1	SS04040040	Slide Switch 4-4 NS Main
S431	1	SC00030010	Switch, Tape Monitor
S432	1	SB13670010	Switch Band, FLX, Tape Monitor
S433	1	SS04040040	Slide Switch 4-4 NS Main

REF. DESIG.	QTY F	PART NO.	DESCRIPTION
P401	1	WH21441330	P401-MM TRANSISTOR BLOCK CIRCUIT BOARD P.W. Board, MM Transistor Block
P401-SEMICONDUCTORS			
Q401	1	HF20151280	F.E.T. 2SK151(F or G)
Q402	1	HF20151280	F.E.T. 2SK151(F or G)
Q403	1	HF10051280	F.E.T. 2SJ51(F or G)
Q404	1	HF10051280	F.E.T. 2SJ51(F or G)
Q405	1	HT32240180	Transistor 2SC2240(BL)
Q406	1	HT32240180	Transistor 2SC2240(BL)
Q407	1	HT10970180	Transistor 2SA970(BL)
Q408	1	HT10970180	Transistor 2SA970(BL)
Q409	1	HT109701A0	Transistor 2SA970(GR)
Q410	1	HT109701A0	Transistor 2SA970(GR)
Q411	1	HT322401A0	Transistor 2SC2240(GR)
Q412	1	HT322401A0	Transistor 2SC2240(GR)
Q413	1	HT108722D0	Transistor 2SA872A(D or E)
Q414	1	HT108722D0	Transistor 2SA872A(D or E)
Q415	1	HT317752D0	Transistor 2SC1775A(D or E)
Q416	1	HT317752D0	Transistor 2SC1775A(D or E)
P401-PLUGS			
J412	1	YP06000750	Plug, (14P)
J413	1	YP06000750	Plug, (14P)
P600-OUTPUT AMP. CIRCUIT BOARD			
P600	1	WK21441210	P.W. Board, Output Amp.
P600-CAPACITORS			
C601	1	DF76470550	Film 47pF ±10%
C602	1	DF76470550	Film 47pF ±10%
C603	1	EA10602530	Elect 10µF 25V
C604	1	EA10602530	Elect 10µF 25V
C605	1	DF16104350	Film 0.1µF ±10%
C606	1	DF16104350	Film 0.1µF ±10%
C609	1	DF17104520	Film 0.1µF ±20%
C610	1	DF17104520	Film 0.1µF ±20%
C613	1	EA10505030	Elect 1µF 50V
C614	1	EA47602530	Elect 47µF 25V
C615	1	EA22601630	Elect 22µF 16V
C616	1	EA22708020	Elect 220µF 80V
C617	1	EA22708020	Elect 220µF 80V
C620	1	DK18103510	Ceramic 0.01µF
C621	1	DK18103510	Ceramic 0.01µF
C622	1	DK18103510	Ceramic 0.01µF
C625	1	DF16222350	Film 2200pF ±10%
C626	1	EA10602530	Elect 10µF 25V
C627	1	DF16473350	Film 0.047µF ±10%
C628	1	DF16473350	Film 0.047µF ±10%
C631	1	DF16105510	Film 1µF ±10%
C632	1	DF16105510	Film 1µF ±10%
C633	1	DF16223300	Film 0.022µF ±10%
C634	1	DF16223300	Film 0.022µF ±10%
C635	1	EA10610010	Elect 10µF 100V
C636	1	EA10610010	Elect 10µF 100V
C637	1	EA10610010	Elect 10µF 100V
C638	1	EA10610010	Elect 10µF 100V
C640	1	EA22601630	Elect 22µF 16V
C641	1	DF76220500	Film 22pF ±10%
C642	1	DF76220500	Film 22pF ±10%

REF. DESIG.	QTY F	PART NO.	DESCRIPTION
P600-RESISTORS (All Resistors are ±5% and ¼W)			
R601	1	GD05472140	4.7KΩ
R602	1	GD05472140	4.7KΩ
R603	1	GD05153140	15KΩ
R604	1	GD05153140	15KΩ
R605	1	GD05102140	1KΩ
R606	1	GD05102140	1KΩ
R607	1	GD05683140	68KΩ
R608	1	GD05683140	68KΩ
R609	1	GD05683140	68KΩ
R610	1	GD05683140	68KΩ
R611	1	GD05821140	820Ω
R612	1	GD05821140	820Ω
R613	1	GG05101140	100Ω
R614	1	GG05101140	100Ω
R615	1	GG05101140	100Ω
R616	1	GG05101140	100Ω
R617	1	GG05471140	470Ω
R618	1	GG05471140	470Ω
R619	1	GA05103010	10KΩ 1W
R620	1	GA05103010	10KΩ 1W
R621	1	GG05330140	33Ω
R622	1	GG05330140	33Ω
R623	1	GG05330140	33Ω
R624	1	GG05330140	33Ω
R625	1	GG05470140	47Ω
R626	1	GG05470140	47Ω
R627	1	GG05330140	33Ω
R628	1	GG05330140	33Ω
R629	1	GG05220140	22Ω
R630	1	GG05220140	22Ω
R631	1	GG05220140	22Ω
R632	1	GG05220140	22Ω
R633	1	GG05220140	22Ω
R634	1	GG05220140	22Ω
R635	1	GG05220140	22Ω
R636	1	GG05220140	22Ω
⚠ R637	1	GO10272050	0.27Ω ±10% 5W
⚠ R638	1	GO10272050	0.27Ω ±10% 5W
⚠ R639	1	GO10272050	0.27Ω ±10% 5W
⚠ R640	1	GO10272050	0.27Ω ±10% 5W
⚠ R641	1	GO10272050	0.27Ω ±10% 5W
⚠ R642	1	GO10272050	0.27Ω ±10% 5W
⚠ R643	1	GO10272050	0.27Ω ±10% 5W
⚠ R644	1	GO10272050	0.27Ω ±10% 5W
R645	1	GD05472140	4.7KΩ
R646	1	GD05472140	4.7KΩ
R649	1	GD05682140	6.8KΩ
R650	1	GD05102140	1KΩ
R651	1	GD05273140	27KΩ
R652	1	GD05273140	27KΩ
R653	1	GA05100030	10Ω 3W
R654	1	GA05100030	10Ω 3W
R655	1	RC10022120	2.2Ω ±10% ½W
R656	1	RC10022120	2.2Ω ±10% ½W
R657	1	GD05823140	82KΩ
R658	1	GD05823140	82KΩ
R659	1	GD05393140	39KΩ
R660	1	GD05104140	100KΩ
R661	1	GD05473140	47KΩ
R662	1	GD05473140	47KΩ

REF. DESIG.	QTY	PART NO.	DESCRIPTION
	F		
R663	1	GD05274140	270K Ω
R664	1	GD05183140	18K Ω
R666	1	GD05223140	22K Ω
R667	1	GD05183140	18K Ω
R668	1	GA05152010	1.5K Ω 1W
R669	1	GG05272120	2.7K Ω 1/2W
R670	1	HD30037090	Zener BZ-140
R671	1	GA05103010	10K Ω 1W
R672	1	GA05103010	10K Ω 1W
P600-SEMICONDUCTORS			
Q601	1	HT315681S0	Transistor 2SC1568(S)
Q602	1	HT315681S0	Transistor 2SC1568(S)
Q603	1	HT110152A0	Transistor 2SA1015(Q or Y)
Q604	1	HT110152A0	Transistor 2SA1015(Q or Y)
Q605	1	HT326322R0	Transistor 2SC2632(R or S)
Q606	1	HT326322R0	Transistor 2SC2632(R or S)
Q607	1	HT111242R0	Transistor 2SA1124(R or S)
Q608	1	HT111242R0	Transistor 2SA1124(R or S)
Q609	1	HT325912B0	Transistor 2SC2591(O or R)
Q610	1	HT111112B0	Transistor 2SA1111(Q or R)
Q611	1	HT325912B0	Transistor 2SC2591(O or R)
Q612	1	HT111112B0	Transistor 2SA1111(Q or R)
Q613	1	HT327062A0	Transistor 2SC2706(R or O)
Q614	1	HT111462A0	Transistor 2SA1146(R or O)
Q615	1	HT327062A0	Transistor 2SC2706(R or O)
Q616	1	HT111462A0	Transistor 2SA1146(R or O)
Q617	1	HT327062A0	Transistor 2SC2706(R or O)
Q618	1	HT111462A0	Transistor 2SA1146(R or O)
Q619	1	HT327062A0	Transistor 2SC2706(R or O)
Q620	1	HT111462A0	Transistor 2SA1146(R or O)
Q621	1	HT318152A0	Transistor 2SC1815(O or Y)
Q622	1	HT318152A0	Transistor 2SC1815(O or Y)
Q623	1	HT110152A0	Transistor 2SA1015(O or Y)
Q624	1	HC10042050	IC TA7317P
Q625	1	HD20010210	Diode 1S2471G
Q626	1	HD20010210	Diode 1S2471G
Q627	1	HD20010210	Diode 1S2471G
Q628	1	HD20010210	Diode 1S2471G
Q629	1	HD20015030	Diode DS135D
Q630	1	HD20015030	Diode DS135D
Q631	1	HD20015030	Diode DS135D
Q632	1	HD20015030	Diode DS135D
Q633	1	HD20011010	Diode W06C
Q634	1	HD20011010	Diode W06C
Q635	1	HD20011010	Diode W06C
Q636	1	HD20011010	Diode W06C
Q639	1	HD20011050	Diode 1S1555
Q640	1	HD20015030	Diode DS135D
Q641	1	HD20011050	Diode 1S1555
Q642	1	HD20015030	Diode DS135D
Q643	1	HD20015030	Diode DS135D
Q644	1	HD20015030	Diode DS135D
Q645	1	HD20015030	Diode DS135D
Q647	1	HD20011050	Diode 1S1555
Q648	1	HD20011050	Diode 1S1555
Q649	1	HD30064090	Zener BZ-240
P600-MISCELLANEOUS			
L601	1	LJ28115090	Coil
L602	1	LJ28115090	Coil
L603	1	LY20240152	Relay

REF. DESIG.	QTY	PART NO.	DESCRIPTION
	F		
P700	1	WK21441220	P700-VOLTAGE AMP. CIRCUIT BOARD P.W. Board, Voltage Amp.
P700-CAPACITORS			
C701	1	DF55101090	Film 100pF \pm 5%
C702	1	DF55101090	Film 100pF \pm 5%
C703	1	DF76470550	Film 47pF \pm 10%
C704	1	DF76470550	Film 47pF \pm 10%
C709	1	DF76220550	Film 22pF \pm 10%
C710	1	DF76220550	Film 22pF \pm 10%
C711	1	DF16474510	Film 0.47 μ F \pm 10%
C712	1	DF16474510	Film 0.47 μ F \pm 10%
C713	1	DF16102350	Film 0.001 μ F \pm 10%
C714	1	DF16102350	Film 0.001 μ F \pm 10%
C715	1	EA47701630	Elect 470 μ F 16V
C716	1	EA47701630	Elect 470 μ F 16V
C771	1	EA47602530	Elect 47 μ F 25V
C772	1	EA47602530	Elect 47 μ F 25V
C773	1	EA47601630	Elect 47 μ F 16V
C775	1	EA10710010	Elect 100 μ F 100V
C776	1	EA10710010	Elect 100 μ F 100V
C777	1	DF16102510	Film 0.001 μ F \pm 10%
C778	1	DF16102510	Film 0.001 μ F \pm 10%
C779	1	75061001P0	Jumper
C780	1	DF15102350	Film 0.001 μ F \pm 5%
C781	1	DF15102350	Film 0.001 μ F \pm 5%
P700-RESISTORS (All Resistors are \pm 5% and 1/4W)			
R701	1	GD05224140	220K Ω
R702	1	GD05224140	220K Ω
R703	1	GD05102140	1K Ω
R704	1	GD05102140	1K Ω
R705	1	GD05561140	560 Ω
R706	1	GD05561140	560 Ω
R707	1	GD05561140	560 Ω
R708	1	GD05561140	560 Ω
R709	1	GD05103140	10K Ω
R710	1	GD05103140	10K Ω
R711	1	GD05103140	10K Ω
R712	1	GD05103140	10K Ω
R713	1	GD05102140	1K Ω
R714	1	GD05102140	1K Ω
R715	1	GD05102140	1K Ω
R716	1	GD05102140	1K Ω
R717	1	GD05473140	47K Ω
R718	1	GD05473140	47K Ω
R721	1	GD05101140	100 Ω
R722	1	GD05101140	100 Ω
R723	1	GD05330140	33 Ω
R724	1	GD05330140	33 Ω
R725	1	GD05154140	150K Ω
R726	1	GD05154140	150K Ω
R727	1	GD05562140	5.6K Ω
R728	1	GD05562140	5.6K Ω
R729	1	GD05181140	180 Ω
R730	1	GD05181140	180 Ω
R731	1	GD05121140	120 Ω
R732	1	GD05121140	120 Ω

REF. DESIG.	QTY F	PART NO.	DESCRIPTION
R733	1	GD05472140	4.7K Ω
R734	1	GD05472140	4.7K Ω
R735	1	GD05472140	4.7K Ω
R736	1	GD05472140	4.7K Ω
R737	1	GD05472140	4.7K Ω
R738	1	GD05472140	4.7K Ω
R739	1	GD05472140	4.7K Ω
R740	1	GD05472140	4.7K Ω
R741	1	GG05271140	270 Ω
R742	1	GG05271140	270 Ω
R743	1	GG05271140	270 Ω
R744	1	GG05271140	270 Ω
R749	1	GD05273140	27K Ω
R750	1	GD05273140	27K Ω
R751	1	GA05272010	2.7K Ω 1W
R752	1	GA05182020	1.8K Ω 2W
R753	1	GD05104140	100K Ω
R754	1	GD05104140	100K Ω
R755	1	GD05222140	2.2K Ω
R756	1	GD05222140	2.2K Ω
R757	1	GD05222140	2.2K Ω
R758	1	GD05222140	2.2K Ω
R759	1	GD05102140	1K Ω
R760	1	GD05102140	1K Ω
R761	1	GD05474140	470K Ω
R762	1	GD05474140	470K Ω
R763	1	GD05474140	470K Ω
R764	1	GD05474140	470K Ω
R771	1	GD05102140	1K Ω
R772	1	GD05102140	1K Ω
R773	1	GD05332140	3.3K Ω
R774	1	GD05332140	3.3K Ω
R775	1	GD05272140	2.7K Ω
R776	1	GD05272140	2.7K Ω
R777	1	GA05472010	4.7K Ω 1W
R779	1	GD05473140	47K Ω
R780	1	GD05473140	47K Ω
R781	1	GD05123140	12K Ω
R782	1	GD05473140	47K Ω
R783	1	GD05821140	820 Ω
P700-SEMICONDUCTORS			
Q701	1	HC10021020	IC M47F(C)
Q702	1	HC10021020	IC M47F(C)
Q703	1	HT322592F0	Transistor 2SC2259(F or G)
Q704	1	HT322592F0	Transistor 2SC2259(F or G)
Q705	1	HT109952A0	Transistor 2SA995(F or G)
Q706	1	HT109952A0	Transistor 2SA995(F or G)
Q707	1	HT322402A0	Transistor 2SC2240(GR or BL)
Q708	1	HT322402A0	Transistor 2SC2240(GR or BL)
Q709	1	HT109702A0	Transistor 2SA970(GR or BL)
Q710	1	HT109702A0	Transistor 2SA970(GR or BL)
Q713	1	HT109702A0	Transistor 2SA970(GR or BL)
Q714	1	HT109702A0	Transistor 2SA970(GR or BL)
Q715	1	HT322402A0	Transistor 2SC2240(GR or BL)
Q716	1	HT322402A0	Transistor 2SC2240(GR or BL)
Q717	1	HT111242R0	Transistor 2SA1124(R or S)
Q718	1	HT111242R0	Transistor 2SA1124(R or S)
Q719	1	HT326322R0	Transistor 2SC2632(R or S)
Q720	1	HT326322R0	Transistor 2SC2632(R or S)
Q721	1	HC10019020	IC AN6552(4558)
Q722	1	HC10019020	IC AN6552(4558)

REF. DESIG.	QTY F	PART NO.	DESCRIPTION
Q723	1	HD30025090	Zener WZ150
Q724	1	HD30025090	Zener WZ150
Q725	1	HD20011050	Diode 1S1555
Q726	1	HD20011050	Diode 1S1555
Q727	1	HD20011050	Diode 1S1555
Q728	1	HD20011050	Diode 1S1555
Q729	1	HD20011050	Diode 1S1555
Q730	1	HD20011050	Diode 1S1555
Q771	1	HT325902B0	Transistor 2SC2590(Q or R)
Q772	1	HT111102B0	Transistor 2SA1110(Q or R)
Q773	1	HT317752D0	Transistor 2SC1775A(D or E)
Q774	1	HT108722D0	Transistor 2SA872A(D or E)
Q775	1	HT317752D0	Transistor 2SC1775A(D or E)
Q776	1	HT108722D0	Transistor 2SA872A(D or E)
Q777	1	HD30009010	Zener HZ12B2L
P700-PLUG			
J701	1	YP01001030	Plug, (3P)
PE01-TONE AMP. CIRCUIT BOARD (L-CH)			
PE01	1	WK21441810	P.W. Board, Tone Amp. (L-ch)
PE01-CAPACITORS			
CE01	1	EA47505030	Elect 4.7 μ F 50V
CE03	1	DF55221090	Film 220pF \pm 5%
CE05	1	EA10701030	Elect 100 μ F 10V
CE07	1	EA10701030	Elect 100 μ F 10V
CE09	1	DF16472350	Film 4700pF \pm 10%
CE11	1	DF16472350	Film 4700pF \pm 10%
CE13	1	DF76560550	Film 56pF \pm 10%
CE15	1	EA10602530	Elect 10 μ F 25V
CE17	1	DF76100550	Film 10pF \pm 10%
CE19	1	EA10603530	Elect 10 μ F 35V
CE21	1	DF15563300	Film 0.056 μ F \pm 5%
CE23	1	DF15563300	Film 0.056 μ F \pm 5%
CE25	1	DF15393300	Film 0.039 μ F \pm 5%
CE27	1	DF16472350	Film 4700pF \pm 10%
CE29	1	EA10702530	Elect 100 μ F 25V
CE31	1	EA10702530	Elect 100 μ F 25V
CE33	1	EA47503530	Elect 4.7 μ F 35V
CE35	1	DF55221090	Film 220pF \pm 5%
CE37	1	DF76101550	Film 100pF \pm 10%
CE39	1	EA47601030	Elect 47 μ F 10V
CE41	1	DF76470550	Film 47pF \pm 10%
CE43	1	DF76101550	Film 100pF \pm 10%
CE45	1	DF76150550	Film 15pF \pm 10%
CE47	1	EA47503530	Elect 4.7 μ F 35V
PE01-RESISTORS			
(All Resistors are \pm 5% and $\frac{1}{4}$ W)			
RE01	1	GD05224140	220K Ω
RE03	1	GD05331140	330 Ω
RE05	1	GD05821140	820 Ω
RE07	1	GD05821140	820 Ω
RE09	1	GD05183140	18K Ω
RE11	1	GD05183140	18K Ω
RE13	1	GD05330140	33 Ω
RE15	1	GD05330140	33 Ω
RE17	1	GD05153140	15K Ω
RE19	1	GD05153140	15K Ω

REF. DESIG.	Q'TY		PART NO.	DESCRIPTION
		F		
RE21	1		GD05101140	100Ω
RE23	1		GD05101140	100Ω
RE25	1		GD05472140	4.7KΩ
RE27	1		GD05272140	2.7KΩ
RE29	1		GD05392140	3.9KΩ
RE31	1		GF05150140	15Ω
RE33	1		GF05150140	15Ω
RE35	1		GD05821140	820Ω
RE37	1		GD05822140	8.2KΩ
RE39	1		GD05822140	8.2KΩ
RE41	1		GD05391140	390Ω
RE43	1		GD05473140	47KΩ
RE45	1		GD05224140	220KΩ
RE47	1		GD05221140	220Ω
RE49	1		GD05471120	470Ω ½W
RE51	1		GD05471120	470Ω ½W
RE53	1		RK05030330	50KΩ(B), Variable
RE55	1		RK02030530	20KΩ(B), Variable
RE57	1		GD05684140	680KΩ
RE59	1		GD05224140	220KΩ
RE61	1		GD05331140	330Ω
RE63	1		GD05182140	1.8KΩ
RE65	1		GD05224140	220KΩ
RE67	1		GD05333140	33KΩ
RE69	1		GD05182140	1.8KΩ
RE71	1		GD05684140	680KΩ
RE73	1		GD05224140	220KΩ
QE01	1		HT322401A0	Transistor 2SC2240(GR)
QE03	1		HT109701A0	Transistor 2SA970(GR)
QE05	1		HT108722D0	Transistor 2SA872A(D or E)
QE07	1		HT317752D0	Transistor 2SC1775A(D or E)
QE09	1		HT323201F0	Transistor 2SC2320(E or F)
QE11	1		HT406661C0	Transistor 2SD666(C)
QE13	1		HT206461C0	Transistor 2SB646(C)
QE15	1		HC10011200	IC M5213L
JE01	1		YP06000730	PE01-PLUG Plug, (12P)
JS01	1		YU09045210	Jumper Lead
PE02	1		WK21441820	PE02-TONE AMP. CIRCUIT BOARD (R-CH) P.W. Board, Tone Amp. (R-ch)
CE02	1		EA47505030	PE02-CAPACITORS Elect 4.7μF 50V
CE04	1		DF55221090	Film 220pF ±5%
CE06	1		EA10701030	Elect 100μF 10V
CE08	1		EA10701030	Elect 100μF 10V
CE10	1		DF16472350	Film 4700pF ±10%
CE12	1		DF16472350	Film 4700pF ±10%
CE14	1		DF76560550	Film 56pF ±10%
CE16	1		EA10602530	Elect 10μF 25V
CE18	1		DF76100550	Film 10pF ±10%
CE20	1		EA10603530	Elect 10μF 35V
CE22	1		DF15563300	Film 0.056μF ±5%
CE24	1		DF15563300	Film 0.056μF ±5%
CE26	1		DF15393300	Film 0.039μF ±5%
CE28	1		DF16472350	Film 4700pF ±10%
CE30	1		EA10702530	Elect 100μF 25V
CE32	1		EA10702530	Elect 100μF 25V
CE34	1		EA47503530	Elect 4.7μF 35V
CE36	1		DF55221090	Film 220pF ±5%
CE38	1		DF76101550	Film 100pF ±10%
CE40	1		EA47601030	Elect 47μF 10V

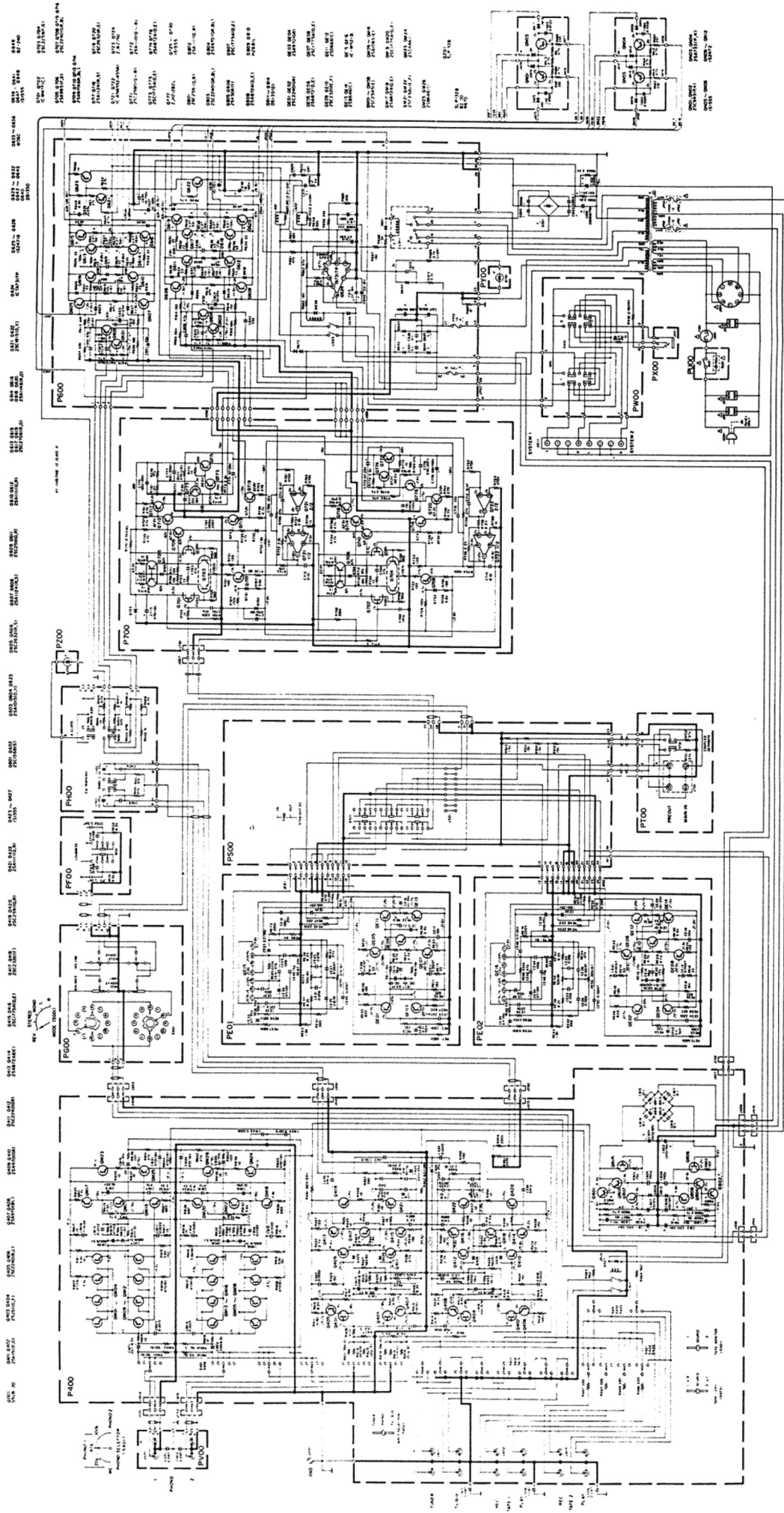
REF. DESIG.	Q'TY		PART NO.	DESCRIPTION
		F		
CE42	1		DF76470550	Film 47pF ±10%
CE44	1		DF76101550	Film 100pF ±10%
CE46	1		DF76150550	Film 15pF ±10%
CE48	1		EA47503530	Elect 4.7μF 35V
CE49	1		DF15472300	Film 4700pF ±5%
CE50	1		DF15472300	Film 4700pF ±5%
RE02	1		GD05224140	220KΩ
RE04	1		GD05331140	330Ω
RE06	1		GD05821140	820Ω
RE08	1		GD05821140	820Ω
RE10	1		GD05183140	18KΩ
RE12	1		GD05183140	18KΩ
RE14	1		GD05330140	33Ω
RE16	1		GD05330140	33Ω
RE18	1		GD05153140	15KΩ
RE20	1		GD05153140	15KΩ
RE22	1		GD05101140	100Ω
RE24	1		GD05101140	100Ω
RE26	1		GD05472140	4.7KΩ
RE28	1		GD05272140	2.7KΩ
RE30	1		GD05392140	3.9KΩ
RE32	1		GF05150140	15Ω
RE34	1		GF05150140	15Ω
RE36	1		GD05821140	820Ω
RE38	1		GD05822140	8.2KΩ
RE40	1		GD05822140	8.2KΩ
RE42	1		GD05391140	390Ω
RE44	1		GD05473140	47KΩ
RE46	1		GD05224140	220KΩ
RE48	1		GD05221140	220Ω
RE50	1		GD05471120	470Ω ½W
RE52	1		GD05471120	470Ω ½W
RE54	1		RK05030330	50KΩ(B), Variable
RE56	1		RK02030530	20KΩ(B), Variable
RE58	1		GD05684140	680KΩ
RE60	1		GD05224140	220KΩ
RE62	1		GD05331140	330Ω
RE64	1		GD05182140	1.8KΩ
RE66	1		GD05224140	220KΩ
RE68	1		GD05333140	33KΩ
RE70	1		GD05182140	1.8KΩ
RE72	1		GD05684140	680KΩ
RE74	1		GD05224140	220KΩ
QE02	1		HT322401A0	PE02-SEMICONDUCTORS Transistor 2SC2240(GR)
QE04	1		HT109701A0	Transistor 2SA970(GR)
QE06	1		HT108722D0	Transistor 2SA872A(D or E)
QE08	1		HT317752D0	Transistor 2SC1775A(D or E)
QE10	1		HT323201F0	Transistor 2SC2320(E or F)
QE12	1		HT406661C0	Transistor 2SD666(C)
QE14	1		HT206461C0	Transistor 2SB646(C)
QE16	1		HC10011200	IC M5213L
JE02	1		YP06000730	PE02-PLUG Plug, (12P)

REF. DESIG.	Q'TY F	PART NO.	DESCRIPTION
PF00	1	WK21441850	PF00-LOUDNESS CIRCUIT BOARD P.W. Board, Loudness
CF01	1	DF15473300	PF00-CAPACITORS Film 0.047 μ F $\pm 5\%$
CF02	1	DF15473300	Film 0.047 μ F $\pm 5\%$
CF03	1	DF15683300	Film 0.068 μ F $\pm 5\%$
CF04	1	DF15683300	Film 0.068 μ F $\pm 5\%$
RF01	1	GD05822140	PF00-RESISTORS 8.2K Ω $\pm 5\%$ $\frac{1}{4}$ W
RF02	1	GD05822140	8.2K Ω $\pm 5\%$ $\frac{1}{4}$ W
SF01	1	SC02030140	PF00-SWITCH Switch, Loudness
PG00	1	WH21441310	PG00-BALANCE CONTROL CIRCUIT BOARD P.W. Board, Balance Control
RG01	1	RM01040300	PG00-RESISTORS 100K Ω x 2 Variable, Balance
RG02	1	RM01040360	100K Ω x 2 Variable
SG01	1	SR04050180	PG00-SWITCH Rotary Switch, Mode
PH00	1	WK21441520	PH00-FILTER CIRCUIT BOARD P.W. Board, Filter
CH01	1	EA10603590	PH00-CAPACITORS Elect 10 μ F 35V
CH02	1	EA10603590	Elect 10 μ F 35V
CH03	1	DF16105510	Film 1 μ F $\pm 10\%$
CH04	1	DF16105510	Film 1 μ F $\pm 10\%$
RH01	1	GD05102140	PH00-RESISTORS (All Resistors are $\pm 5\%$ and $\frac{1}{4}$ W) 1K Ω
RH02	1	GD05102140	1K Ω
RH03	1	GD05471140	470 Ω
RH04	1	GD05471140	470 Ω
RH05	1	RA05020130	4.7K Ω , Trimming
RH06	1	RA05020130	4.7K Ω , Trimming
RH07	1	RA01020150	1K Ω , Trimming
RH08	1	RA01020150	1K Ω , Trimming
RH09	1	GD05221140	220 Ω
RH10	1	GD05473140	47K Ω
RH11	1	GD05473140	47K Ω
RH12	1	GD05224140	220K Ω
RH13	1	GD05224140	220K Ω
SH01	1	SP04020290	PH00-SWITCH Push Switch
PM01	1	WH21441320	PM01-MC TRANSISTOR BLOCK CIRCUIT BOARD P.W. Board, MC Transistor Block
RM35	1	GF05100140	PM01-RESISTORS 10 Ω $\pm 5\%$ $\frac{1}{4}$ W
RM36	1	GF05100140	10 Ω $\pm 5\%$ $\frac{1}{4}$ W
RM37	1	GF05100140	10 Ω $\pm 5\%$ $\frac{1}{4}$ W
RM38	1	GF05100140	10 Ω $\pm 5\%$ $\frac{1}{4}$ W

REF. DESIG.	Q'TY F	PART NO.	DESCRIPTION
QM01	1	HT325451E0	PM01-SEMICONDUCTORS Transistor 2SC2545(E)
QM02	1	HT325451E0	Transistor 2SC2545(E)
QM03	1	HT325451E0	Transistor 2SC2545(E)
QM04	1	HT325451E0	Transistor 2SC2545(E)
QM05	1	HT325451E0	Transistor 2SC2545(E)
QM06	1	HT325451E0	Transistor 2SC2545(E)
QM07	1	HT325451E0	Transistor 2SC2545(E)
QM08	1	HT325451E0	Transistor 2SC2545(E)
QM09	1	HT110831E0	Transistor 2SA1083(E)
QM10	1	HT110831E0	Transistor 2SA1083(E)
QM11	1	HT110831E0	Transistor 2SA1083(E)
QM12	1	HT110831E0	Transistor 2SA1083(E)
QM13	1	HT110831E0	Transistor 2SA1083(E)
QM14	1	HT110831E0	Transistor 2SA1083(E)
QM15	1	HT110831E0	Transistor 2SA1083(E)
QM16	1	HT110831E0	Transistor 2SA1083(E)
QM17	1	HT108722D0	Transistor 2SA872A(D or E)
QM18	1	HT108722D0	Transistor 2SA872A(D or E)
QM19	1	HT317752D0	Transistor 2SC1775A(D or E)
QM20	1	HT317752D0	Transistor 2SC1775A(D or E)
QM21	1	HT323201F0	Transistor 2SC2320(E or F)
QM22	1	HT323201F0	Transistor 2SC2320(E or F)
QM23	1	HT406661C0	Transistor 2SD666(C)
QM24	1	HT406661C0	Transistor 2SD666(C)
QM25	1	HT206461C0	Transistor 2SB646(C)
QM26	1	HT206461C0	Transistor 2SB646(C)
J410	1	YP06000750	PM01-PLUGS Plug, (14P)
J411	1	YP06000750	Plug, (14P)
PN00	1	YH22870210	PN00-ASO PROTECTOR CIRCUIT BOARD P.W. Board, ASO Protector
CN01	1	DF16222350	PN00-CAPACITORS Film 2200pF $\pm 10\%$
CN02	1	DF16222350	Film 2200pF $\pm 10\%$
CN03	1	DF16222350	Film 2200pF $\pm 10\%$
CN04	1	DF16222350	Film 2200pF $\pm 10\%$
RN01	1	GD05331140	PN00-RESISTORS (All Resistors are $\pm 5\%$ and $\frac{1}{4}$ W) 330 Ω
RN02	1	GD05331140	330 Ω
RN03	1	GD05331140	330 Ω
RN04	1	GD05331140	330 Ω
RN09	1	GD05472140	4.7K Ω
RN10	1	GD05472140	4.7K Ω
RN11	1	GD05472140	4.7K Ω
RN12	1	GD05472140	4.7K Ω
RN13	1	GD05273140	27K Ω
RN14	1	GD05273140	27K Ω
QN01	1	HT309452C0	PN00-SEMICONDUCTORS Transistor 2SC945(P or K)
QN02	1	HT309452C0	Transistor 2SC945(P or K)
QN03	1	HT107332C0	Transistor 2SA733(P or K)
QN04	1	HT107332C0	Transistor 2SA733(P or K)
QN05	1	HD20011050	Diode 1S1555
QN06	1	HD20011050	Diode 1S1555
QN07	1	HD20011050	Diode 1S1555
QN08	1	HD20011050	Diode 1S1555
QN09	1	HD20002210	Diode 1S2472
QN10	1	HD20002210	Diode 1S2472
QN11	1	HD20002210	Diode 1S2472
QN12	1	HD20002210	Diode 1S2472

REF. DESIG.	QTY	PART NO.	DESCRIPTION
	F		
PP00	1	WF21440010	PP00-FUSE CIRCUIT BOARD P.W. Board, Fuse
			PP00-MISCELLANEOUS
‡.FP01	1	FS10100090	Fuse 1A 250V
‡.FP02	1	FS10100090	Fuse 1A 250V
‡.FP04	1	FS10100900	Fuse 1A 250V
‡.FP05	1	FS10100900	Fuse 1A 250V
JP01 / JP10	8	YJ08000170	Jack, Fuse Crip
PS00	1	WK21441830	PS00-STRAIGHT DC CIRCUIT BOARD P.W. Board, Straight DC
			PS00-RESISTORS
RS01	1	GD05153140	15K Ω $\pm 5\%$ $\frac{1}{4}W$
RS02	1	GD05153140	15K Ω $\pm 5\%$ $\frac{1}{4}W$
RS03	1	GD05152140	1.5K Ω $\pm 5\%$ $\frac{1}{4}W$
RS04	1	GD05152140	1.5K Ω $\pm 5\%$ $\frac{1}{4}W$
SS01	1	SC06030070	PS00-SWITCH Switch, Straight DC
PT00	1	WK21441840	PT00-PRE-OUT CIRCUIT BOARD P.W. Board, Pre-Out
RT01	1	GD05273140	Resistor 27K Ω $\pm 5\%$ $\frac{1}{4}W$
RT02	1	GD05273140	Resistor 27K Ω $\pm 5\%$ $\frac{1}{4}W$
JT01	1	YT02040320	Terminal, (4P) RCA
ST01	1	SS02020640	Slide Switch, Pre-Out
PU00	1	WK21441550	PU00-POWER SWITCH CIRCUIT BOARD P.W. Board, Power Switch
‡.SU01	1	SP01010320	Push Switch, Power
‡.GU01	1	BF10400030	Cap. Comp. 0.1 μF + 120 Ω
PV00	1	WK21441860	PV00-PHONO INPUT CIRCUIT BOARD P.W. Board, Phono Input
CV01	1	DK18473320	Ceramic Cap. 0.047 μF
CV02	1	DK18473320	Ceramic Cap. 0.047 μF
JV01	1	YT02040320	Terminal, (4P) RCA
PW00	1	WK21441530	PW00-SPEAKER SWITCH CIRCUIT BOARD P.W. Board, Speaker Switch
RW01	1	GA05271010	Resistor 270 Ω $\pm 5\%$ 1W
RW02	1	GA05271010	Resistor 270 Ω $\pm 5\%$ 1W
SW01	1	SP04020200	Push Switch, Speaker

REF. DESIG.	QTY	PART NO.	DESCRIPTION
	F		
PX00	1	WK21441540	PX00-HEAD PHONE CIRCUIT BOARD P.W. Board, Head Phone
JX01	1	YJ01001340	Jack, Head Phone
PY00	1	WK21441880	PY00-L.E.D. POWER IND. CIRCUIT BOARD P.W. Board, L.E.D. Power Ind.
QY01	1	HI10004030	L.E.D. SLP132B
PZ00	1	WK21441870	PZ00-L.E.D. CLASS, A IND. CIRCUIT BOARD P.W. Board, L.E.D. Class A Ind.
QZ01	1	HI10004030	L.E.D. SLP132B
(W01-99)			Assembly and Wiring
(T01-99)			Adjustment
(X01-00)			Correction



Note on safety: The parts marked with Δ are important parts on the safety. Please use the parts having the designated parts number without fail.

Components and wiring are subject to change for modification without notice.

規格

Model Pm-6

定格出力(20Hz~20kHz両チャンネル同時駆動).....	CLASS AB.....	120W×2 (8Ω負荷)
	CLASS A.....	30W×2 (8Ω負荷)
出力帯域幅(8Ω負荷, THD0.05%).....		5Hz~100kHz
全高調波歪率(20Hz~20kHz 8Ω負荷).....		0.03%以下
混変調歪率.....		0.015%以下
周波数特性(20Hz~20kHz).....		+0, -0.2dB
(5Hz~100kHz).....		+1, -1dB
ダンピングファクター(8Ω負荷).....		100以上
入力感度及びインピーダンス(メインアンプ入力).....		1.5V/15kΩ
フォノ 1(MM).....		2.5mV/27kΩ/47kΩ/100kΩ
フォノ 1(MC).....		125μV/75Ω
フォノ 2(MM).....		2.5mV/47kΩ
高レベル.....		150mV/40kΩ
定格出力及びインピーダンス.....	PRE OUT.....	1.5V/220Ω
	TAPE OUT.....	150mV/250Ω
PIAA偏差(20Hz~20kHz).....		±0.2dB
入力等化雑音(フォノ, IHF-A).....		0.24μV
ダイナミックレンジ(フォノ).....		120dB
トーンコントロール特性.....	(低域100Hz).....	±8dB
	(高域10kHz).....	±8dB
その他		
電源.....		100V 50/60Hz
消費電力(電気用品取締法).....		350W
外形寸法(幅×高さ×奥行き).....		416×146×332mm
重量(セット単位).....		15.5kg

仕様規格及び外観は改良のため予告なく変更することがあります。